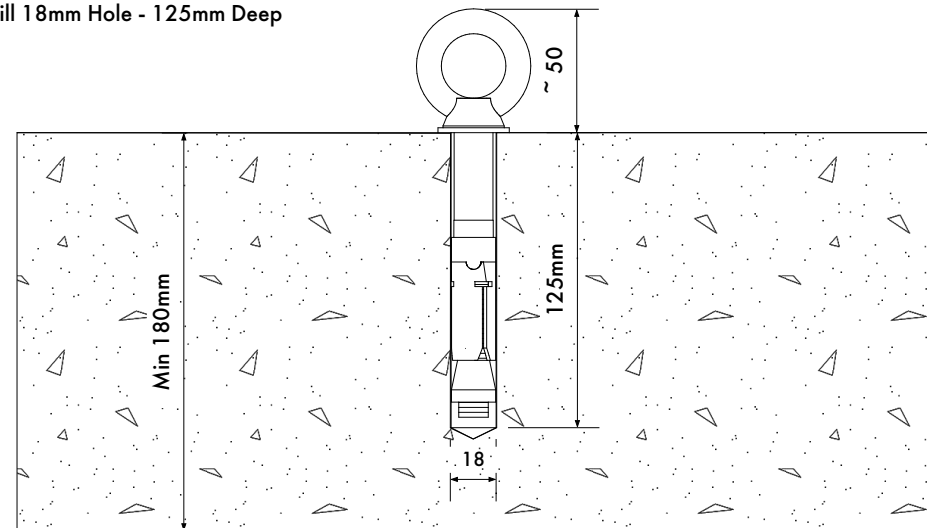


Drill Depth	180mm
Hole Size	18mm
Min Edge Distance	200mm*
Min Concrete Thickness	180mm*
Min Spacing between Anchors	200mm*
Anchor Rating (Depending on substrate)	15kN
Break test peak load rating (anchor only)	N/A

*Anchor edge distances, spacing and depth are the minimum recommendations required to maintain anchor strength. Any variation from these recommendations will require engineering data verification from an Engineer or the chemical adhesive manufacturer. Concrete is to be minimum 25MPa.



Note: Not recommended for exterior use (or where water penetration is possible)