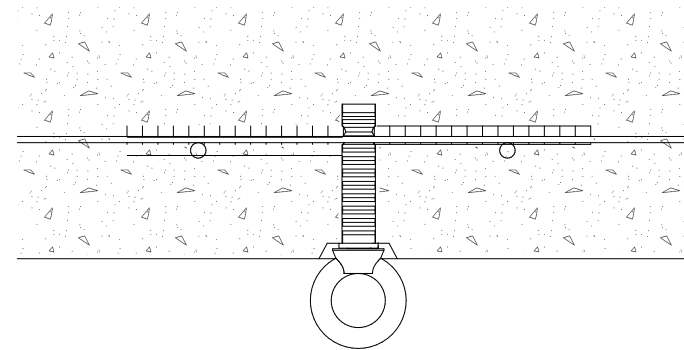
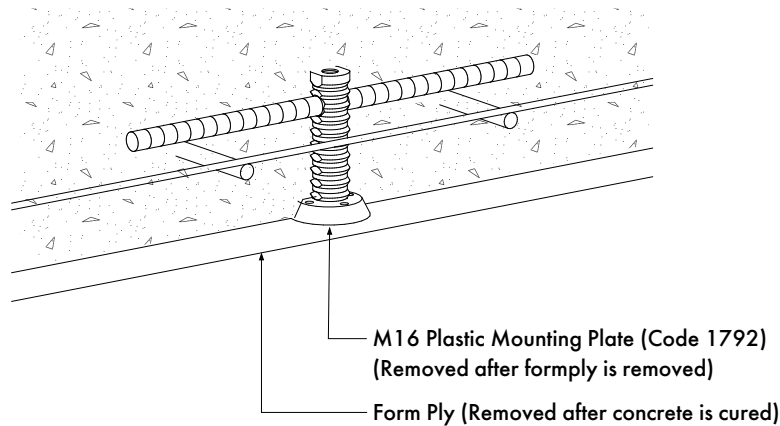
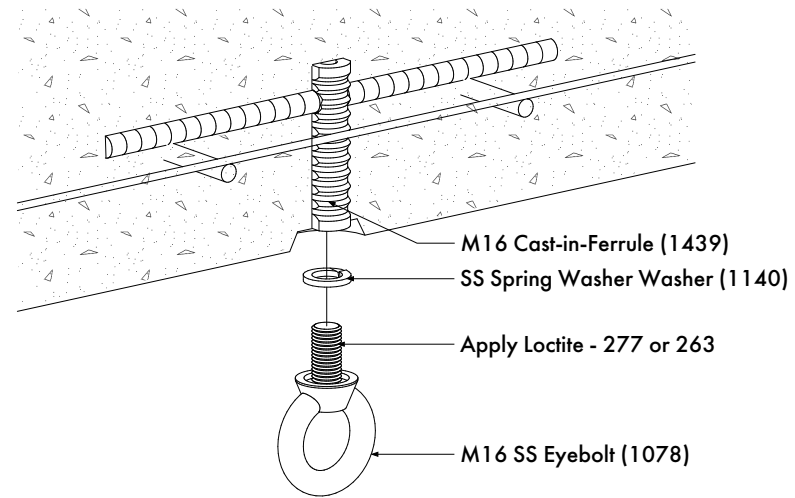
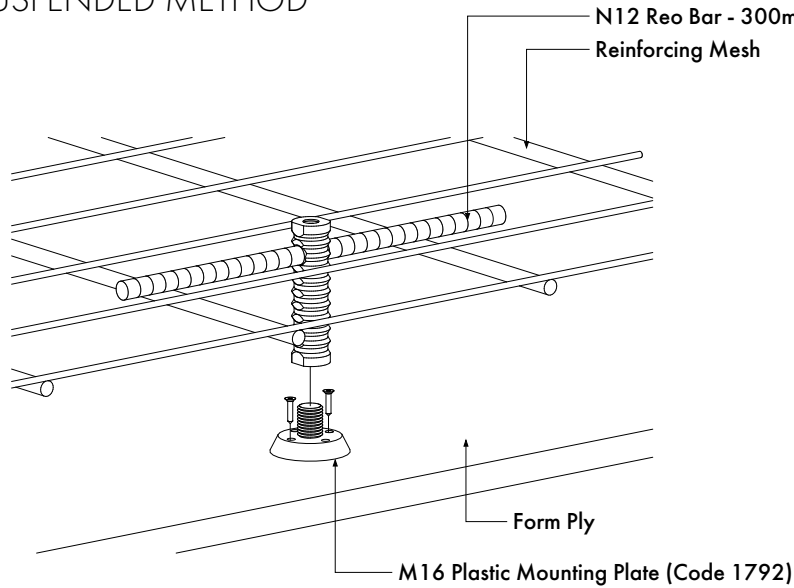


SUSPENDED METHOD



Min Edge Distance	200mm*
Min Concrete Thickness	150mm*
Min Spacing between Anchors	150mm*
Anchor Rating (Depending on substrate)	15kN
Break test peak load rating (anchor only)	>60kN
* Anchor edge distances, spacing and depth are the minimum recommendations required to maintain anchor strength. Any variation from these recommendations will require engineering data verification from an Engineer or the chemical adhesive manufacturer. Concrete is to be minimum 25MPa.	