

ANCHOR WITH RIVETS ONLY INSTALLATION CRITERIA

CLIP-FIX TYPE ROOF

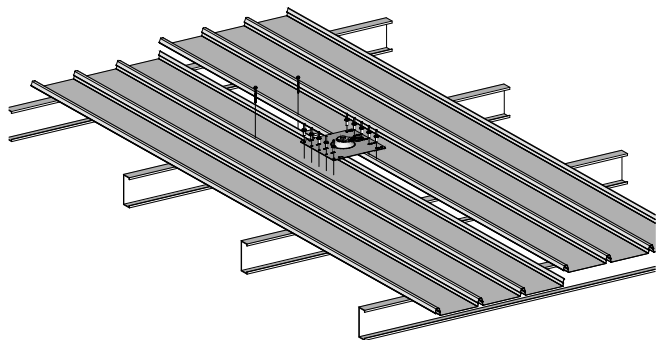
NO. OF PURLINS

3 - 9 PURLINS (ROOF SHEET ± 2 - 10m Long)

1. ANCHOR CAN BE FIXED OVER 2 ROOF SHEETS
2. ANCHOR CAN BE FIXED IN CENTRE OF ROOF SHEET
3. 2 X ADDITIONAL 14G FIXINGS REQUIRED TO SECURE ROOF SHEET

10+ PURLINS (ROOF SHEET ± 12m+)

1. FIXING POSITION AS PER PREVIOUS
2. NO ADDITIONAL FIXINGS REQUIRED IN ROOF SHEET



ADDITIONAL FIXINGS (2)
ROOFDECK SCREW FIXED TO PURLIN



NOTE - Screw can be on either upside or downside of roof

CHECKING CRITERIA

<p>A</p>	<ol style="list-style-type: none"> 1. REQUIRES ROOFDECK SCREW FIXED TO PURLIN IF LESS THAN 10 PURLINS
<p>B</p>	<ol style="list-style-type: none"> 1. REQUIRES ROOFDECK SCREW FIXED TO PURLIN IF LESS THAN 10 PURLINS
<p>C</p>	<ol style="list-style-type: none"> 1. REQUIRES ROOFDECK SCREW FIXED TO PURLIN IF LESS THAN 10 PURLINS
<p>D</p>	<ol style="list-style-type: none"> 1. INSTALLATION INCORRECT 2. POTENTIAL ROOF SHEET DELAMINATION 3. RE-INSTALL ANCHOR AS PER A.

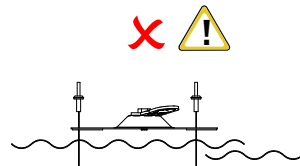
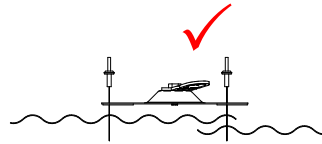
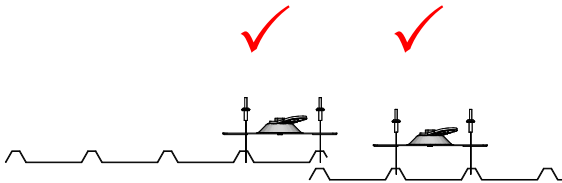
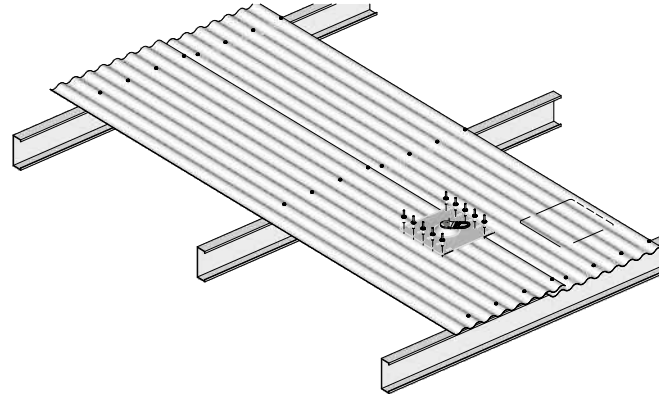
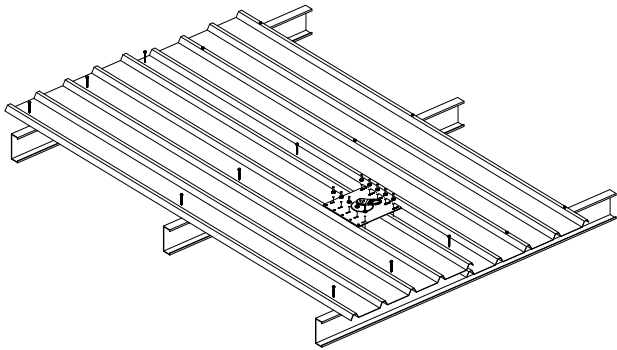
ANCHOR WITH RIVETS ONLY INSTALLATION CRITERIA

SCREW-FIX TYPE ROOF

NO. OF PURLINS

3 PURLINS MINIMUM

FIX ANCHOR OVER 2 ROOF SHEETS OR IN MIDDLE



1. ANCHOR RIVETED THROUGH LAP OR MID PANEL
2. NO ADDITIONAL FIXINGS REQUIRED

1. ANCHOR RIVETED THROUGH LAP
2. NO ADDITIONAL FIXINGS REQUIRED

1. INSTALLATION INCORRECT
2. POTENTIAL ROOF SHEET DELAMINATION
3. RE-INSTALL ANCHOR AS PER ABOVE