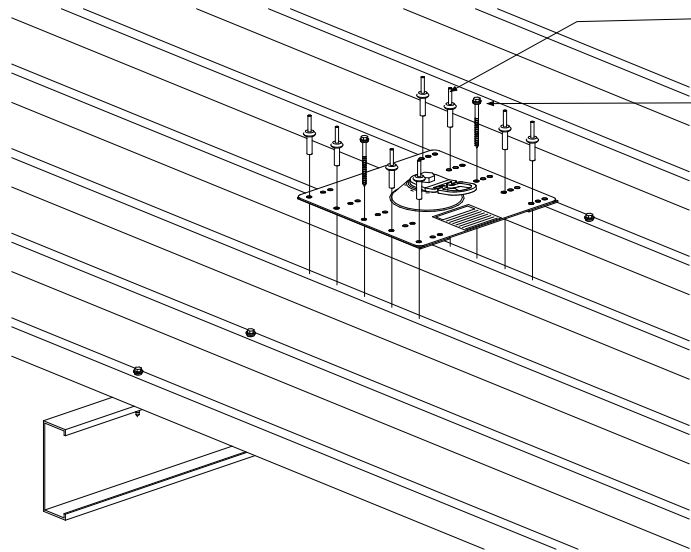


- |   |
|---|
| <p>Minimum Structure Requirements</p> <ul style="list-style-type: none"> <li>- Min purlin Size - C or Z 150 x 1.9</li> <li>- Min 3 purlins beneath roof structure</li> <li>- Min roof Sheet thickness - 0.42mm</li> </ul>   |
| <p>Minimum Structure Requirements</p> <ul style="list-style-type: none"> <li>- Max purlin spacing - 1200mm (&lt; 4 purlins)</li> <li>- Min purlin Size - C or Z 100 x 1.9</li> <li>- Min 4 purlins beneath roof structure</li> <li>- Min roof Sheet thickness - 0.42mm</li> <li>- Max purlin spacing - 1200mm (&lt; 4 purlins)</li> </ul> |



SD914 - Rivet - Bulb Tite 8mm (Qty 8)

SD905.20 - 14g x 75mm Tek Screw  
(Qty 2 into Purlin Structure beneath)



Notes

- This system must be installed by a competent person
- Installation to be according to manufacturers requirements
- The system must be installed in accordance with As/NZS 1891 & AS/NZS 5532 Standards
- Positioning of anchors to ensure no pendulum fall possibility
- This system must be used by competent persons & operation training will be required.

