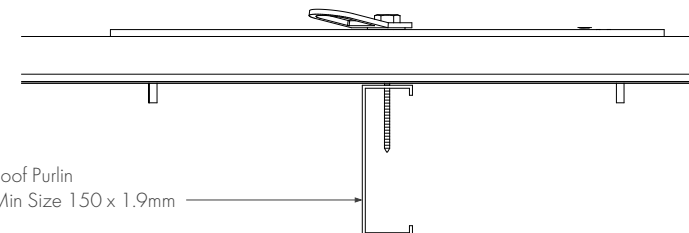
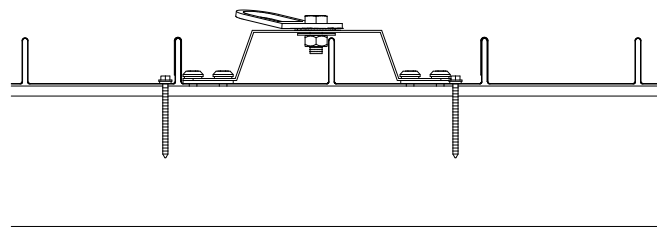
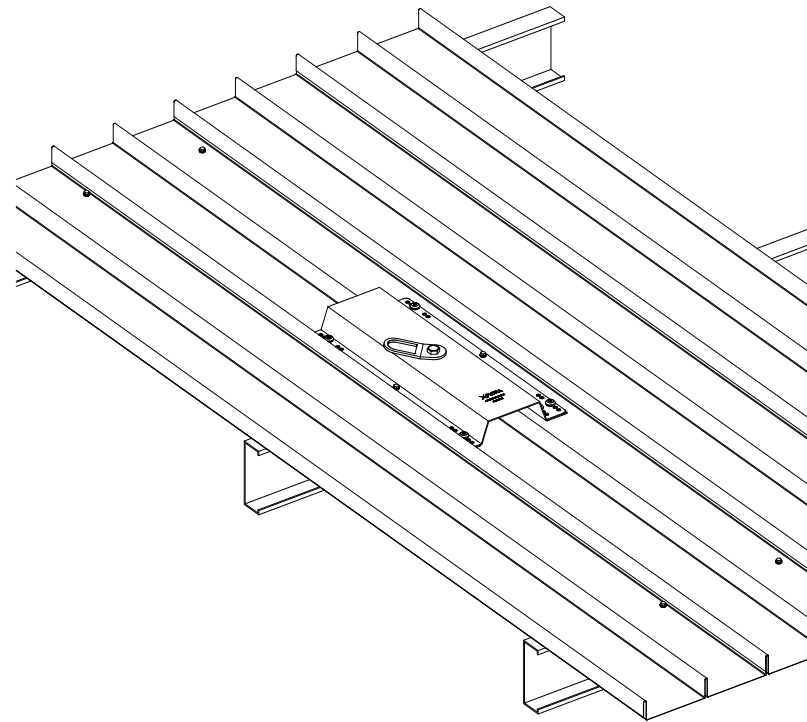


14G Tek Screw into purlin (4)

8mm Bulb-tite Rivet
into Roof Sheet (8)

Additional Screws required for Clip Fix Roof Decks
(If less than 6 purlins/battens along length of sheet)



Roof Purlin
Min Size 150 x 1.9mm

PRODUCT: Top Mount Abseil Anchor on Brownbilt
Roof deck
CODE: AP141

Drawing No.: 6167

Date: 26/4/17

Version: 2

SAYFA SYSTEMS CONFIDENTIAL MATERIAL

This drawing is copyright© and all rights are reserved. The design and specifications contained herein are confidential and the property of Sayfa Systems. The information may not be divulged or used in any form or by any means, for any purpose other than that stated by Sayfa Systems. Storage or transmittal, copying or reproduction, viewing or scanning of this Drawing by any person or party, whether in whole or in part is prohibited, except with express prior written consent by Sayfa Systems.

DISCLAIMER

All product specifications and technical descriptions, recommendations and other information provided in this drawing, are given as general guidance and advice, and are to be read in conjunction with Sayfa Group installation instructions and any other data available and applicable to each particular standard product or system. Use of such data is however the User's sole responsibility, taking into account the intended application and actual conditions existing on the particular worksite. Consequent selection of the right product for any particular use, remains the User's ultimate responsibility.