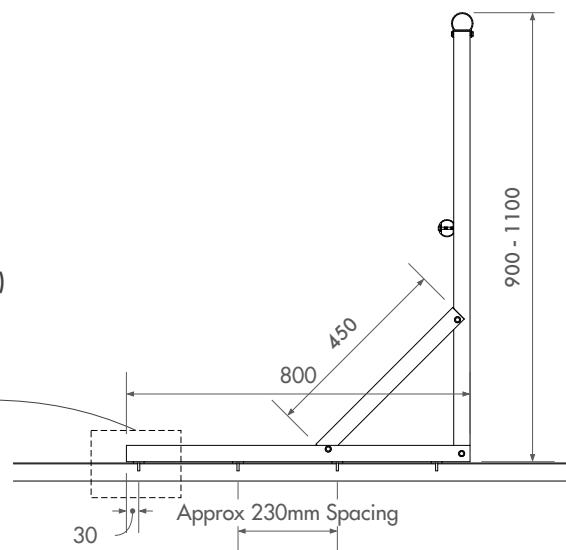


Main Support Channel (38 x 65 x 3mm)
 5mm Bulb-tite Rivet
 Nitrile foam seal
 Roof deck



Notes

- A 3rd rail is recommended if the roof slope is above 12 deg
- A toeboard is required if an object can fall from a platform or walkway onto an area which persons have access to the area below.
- Installation to be according to manufacturers requirements
- The system must be installed in accordance with AS 1657:2018 Standards

