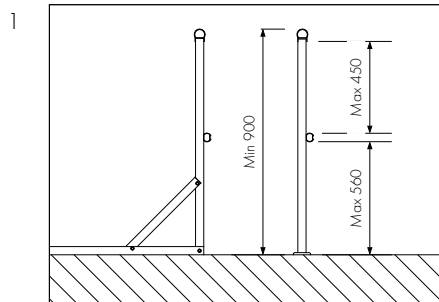
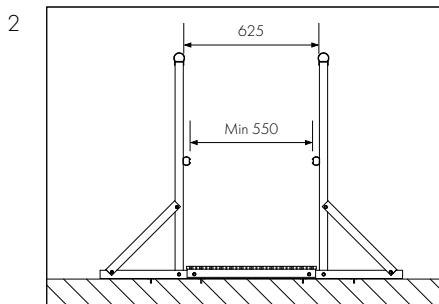


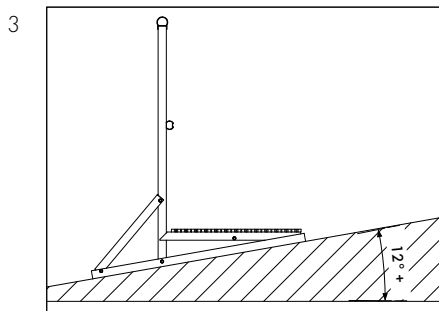
Typical Guardrail Requirements (From AS1657:2018 Standards)



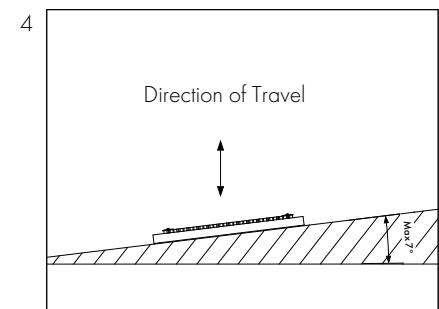
Guardrail Height
Minimum height for guardrailing is 900mm from the walking surface.



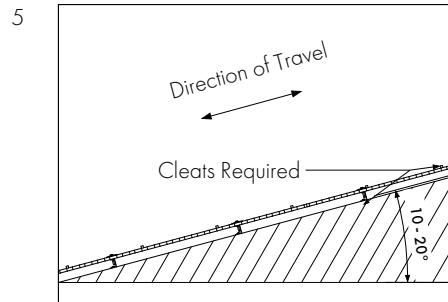
Width Between Guardrails
Distance between guardrails, intermediate rails or toeboards shall not be less than 550mm.
Minimum width of walkway must be 600mm.



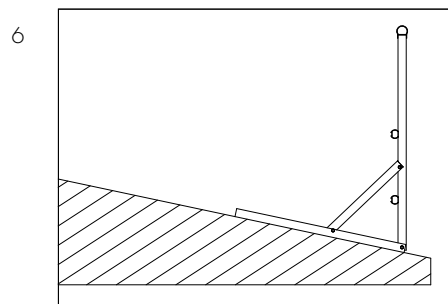
Guardrail on Sloping Roofs (Across Slope)
Guardrail is required if the area adjacent to the walking area is 12° or greater.



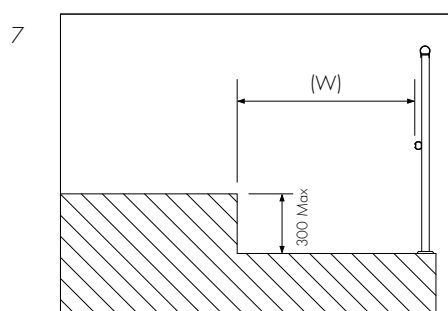
Walkway on Sloping Roofs (Across Slope)
Maximum cross slope of walkway is 7° in the direction of travel. Preferred cross slope angle is 3°.



Walkway on Sloping Roofs (Along Slope)
Walkway can be used in the range from 0° - 20°. Any walkway slope from 10° - 20° will need cleats installed.
Cleat Spacings:
Slopes 10° - 15° - 450mm
Slopes 15+° - 18° - 400mm
Slopes 18+° - 20° - 350mm

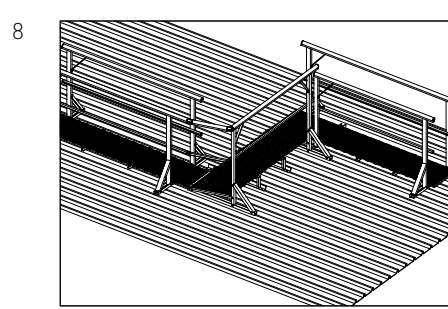


Guardrail on Sloping Roofs
If there is guardrail on the edge of the roof where the slope is 12° or greater, a third rail is recommended.



Guardrail on Platforms
Height of Guardrail to be as follows

- Where width (W) is not less than 1000mm, height shall be min 900mm.
- Where width (W) is less than 1000mm, height shall be increased by 300mm.



Walkway on Sloping Roofs (Along Slope)
On sloping walkways between 15 & 20 deg, a handrail shall be provided. Where there is a risk of a person rolling or sliding along the sloping surface of the walkway, the distance shall be limited to 18m (linear). A gate or change-in-direction is required.