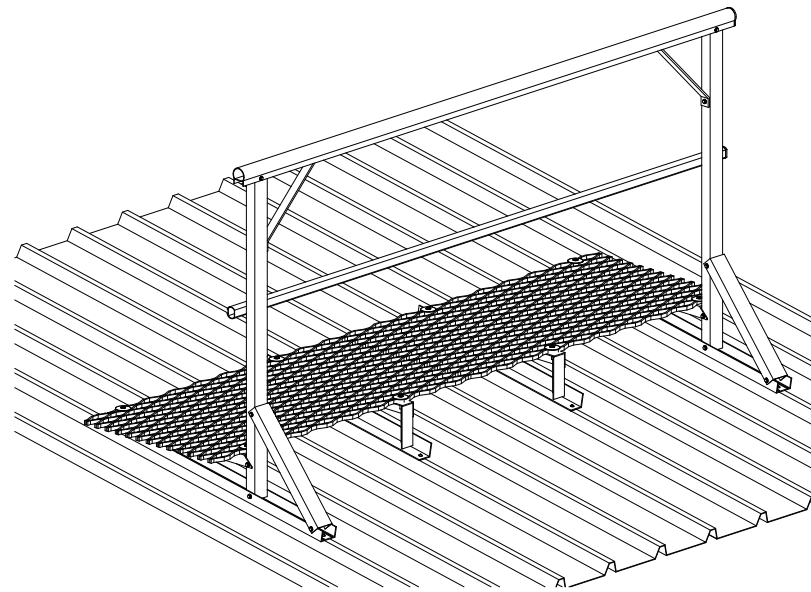


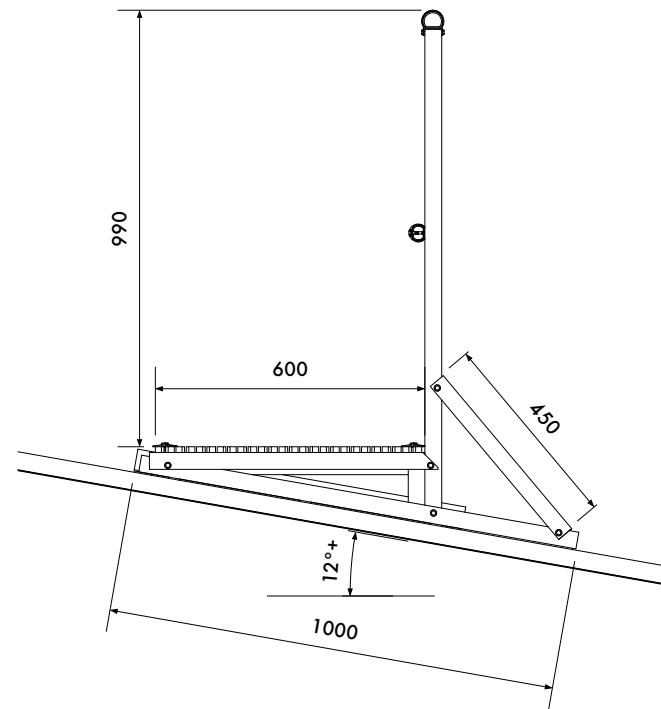
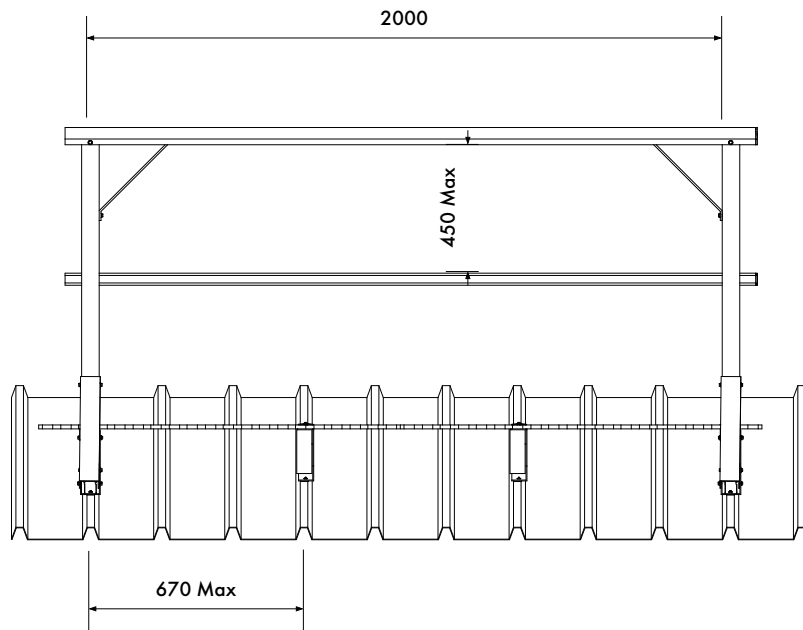
NOTES

The SENTRY Guardrail Systems complies with AS1657 : 2013 when installed as per the instructions detailed. These drawings and Instructions must be read in conjunction with the Australian Standards Criteria.

1. Guardrail height is to be 900 - 1000mm from the walking surface or the nosing of a stair tread.
2. Distance between guardrails, intermediate rails or toe-boards shall not be less than 550mm
3. Hand clearance - Min 50mm between the edge of any handrail and adjacent structure.
4. Toe-board - A toe-board shall be installed on the edge of a platform or walkway where there is no permanent structure within 10mm of the edge and from which an object could fall to where persons have access to the area below and to the side of a walkway. Maximum gap between the toe-board and walkway is 10mm.
5. Minimum width of walking surface or length of stair tread shall be 600mm
6. All walkways are designed for 2.5KPA UDL. (This does not include the structure to which it is fixed eg. Roof deck)
7. In general, the angle of slope of the walking surface shall not exceed 3° . (Walkway mounted directly to low-pitched roofs can have a cross-slope not exceeding 7°)
8. The angle of the walking surface in the direction of travel shall not exceed 20° (i.e. up/down the roof slope). Where the walkway slope is between 10° - 20° , cleats shall be fitted.



SENTRY®



1029 MOUNTAIN HWY BORONIA VIC 3155
T +61 1300 301 755 **F** +61 1300 881 092
E sales@sayfa.com.au **E** sayfa.com.au

THIS PROPERTY REMAINS THE PROPERTY OF SAYFA GROUP AND MAY NOT BE CHANGED WITHOUT WRITTEN PERMISSION FOR FURTHER INFORMATION REFER TO OUR WEBSITE AT sayfa.com.au

DESCRIPTION
 ALUMINIUM WALKWAY WITH SENTRY
 GUARDRAIL ONE SIDE - LEVELLED

DRG No.	DATE
2628	16/8/2018
Code	REV
GW5	2

TECHNICAL DRAWING

