

# APEX INDUSTRIAL HEIGHT SAFETY HELMET

HR 033

EN 397

A collation of the best design features for an industrial quality helmet for work at height plus general site safety. Quality construction ensures the Exo is built to last and has provision for all the standard accessory types are needed on the job.

Impact and penetration protection meets and exceeds AS/NZS 1801.

Features:

- Size adjustment system and up-n-down adjustment system for perfect fit
- 10 air intakes, vents mesh covered to prevent debris entry
- Inner lining fully detachable and washable
- Lamp carrying system - external nylon 6.6
- Head lamp holder clips
- 6 point internal harness
- Two slots for mounting ear defenders
- Impact tested to crown: 49 joules
- Chinstrap releases over 150N with accordance with EN 397.



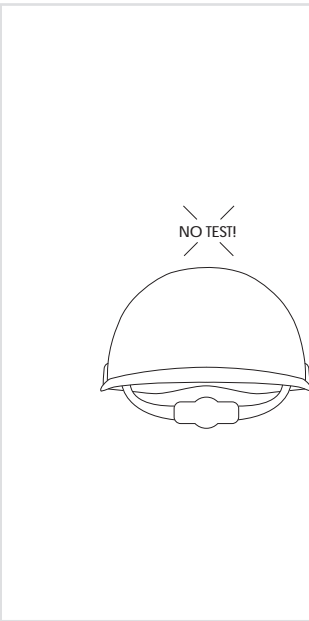
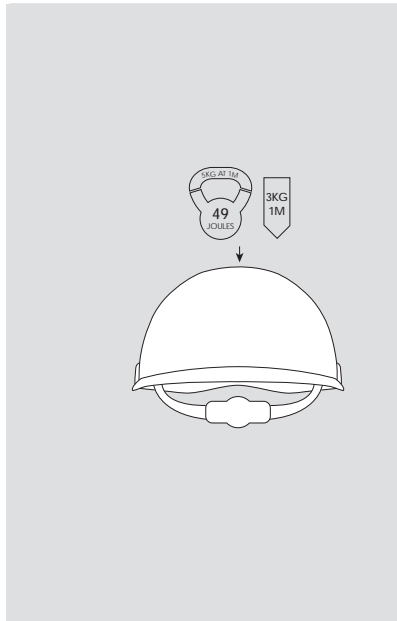
HELMET

CROWN IMPACT TEST

MULTI SIDE IMPACT TEST

STANDARDS DESCRIPTION

EN397:2012 / AS/NZS 1801: 1997



## THE STANDARD INDUSTRIAL SAFETY HELMET STANDARDS

Testing is only carried out to the top of the helmet. A 49J impact only to the crown of the helmet measures the shock absorption and a penetration test with a 3kg conical striker from 1m. There is no side impact test in this standard- only a lateral rigidity test, which is a slow, progressive force loading, and is not an impact test. EN 397 requires a chinstrap which is designed to release under load with a force of  $150N < F < 250N$ .

AS/NZS 1801:1997 helmets make attachment of a releasing type chinstrap an option only.

Dimensions	51 - 62cm
Weight	375gm



358g