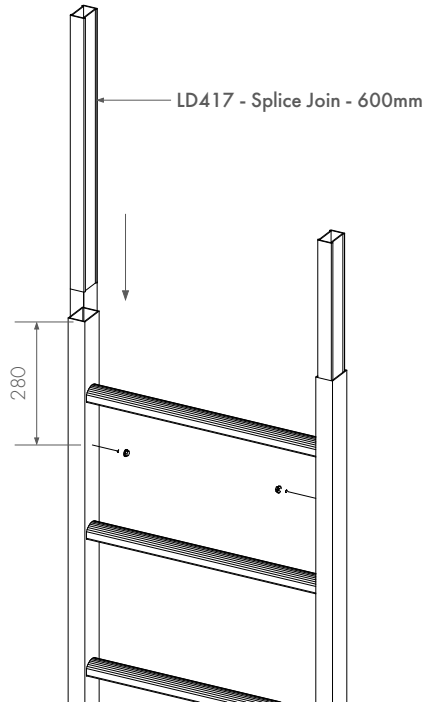


SD907.20 - Tek Screw 12-14 x 20mm

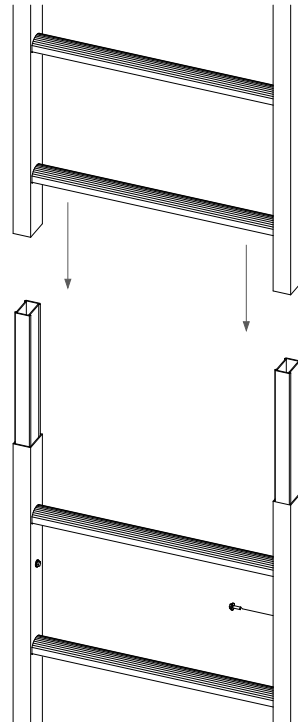


LD417 - Splice Join - 600mm

280

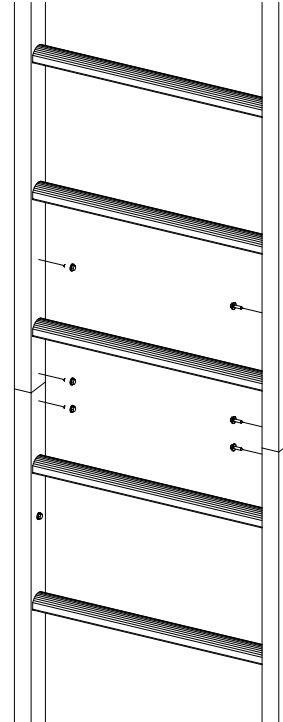
Step 1.

Insert splice 300mm into stiles of ladder. Fix with 1 tek screw.



Step 2.

Slide ladder body onto splice joins.



Step 3.

Fix remaining tek screws into ladder body sections as shown.

