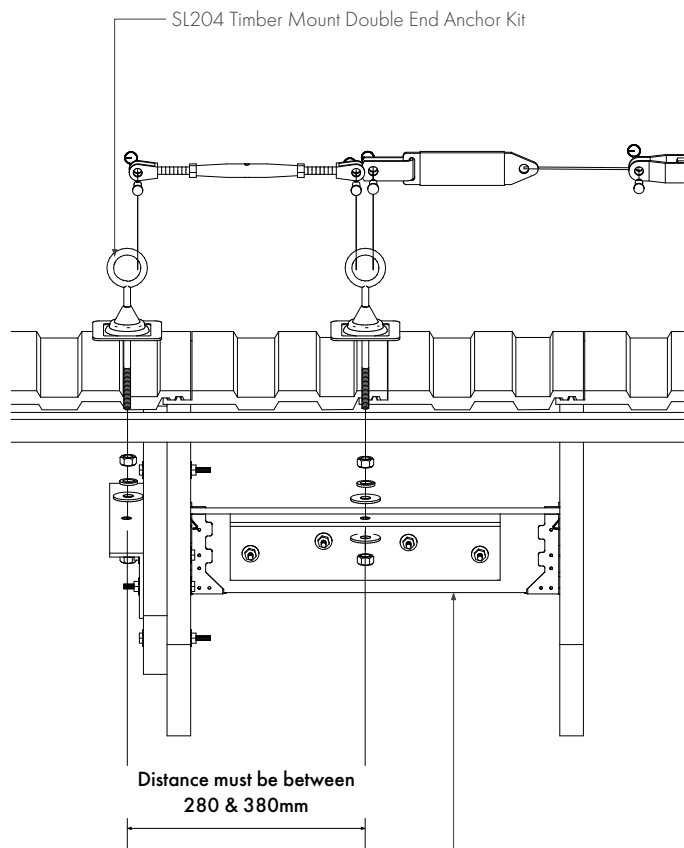
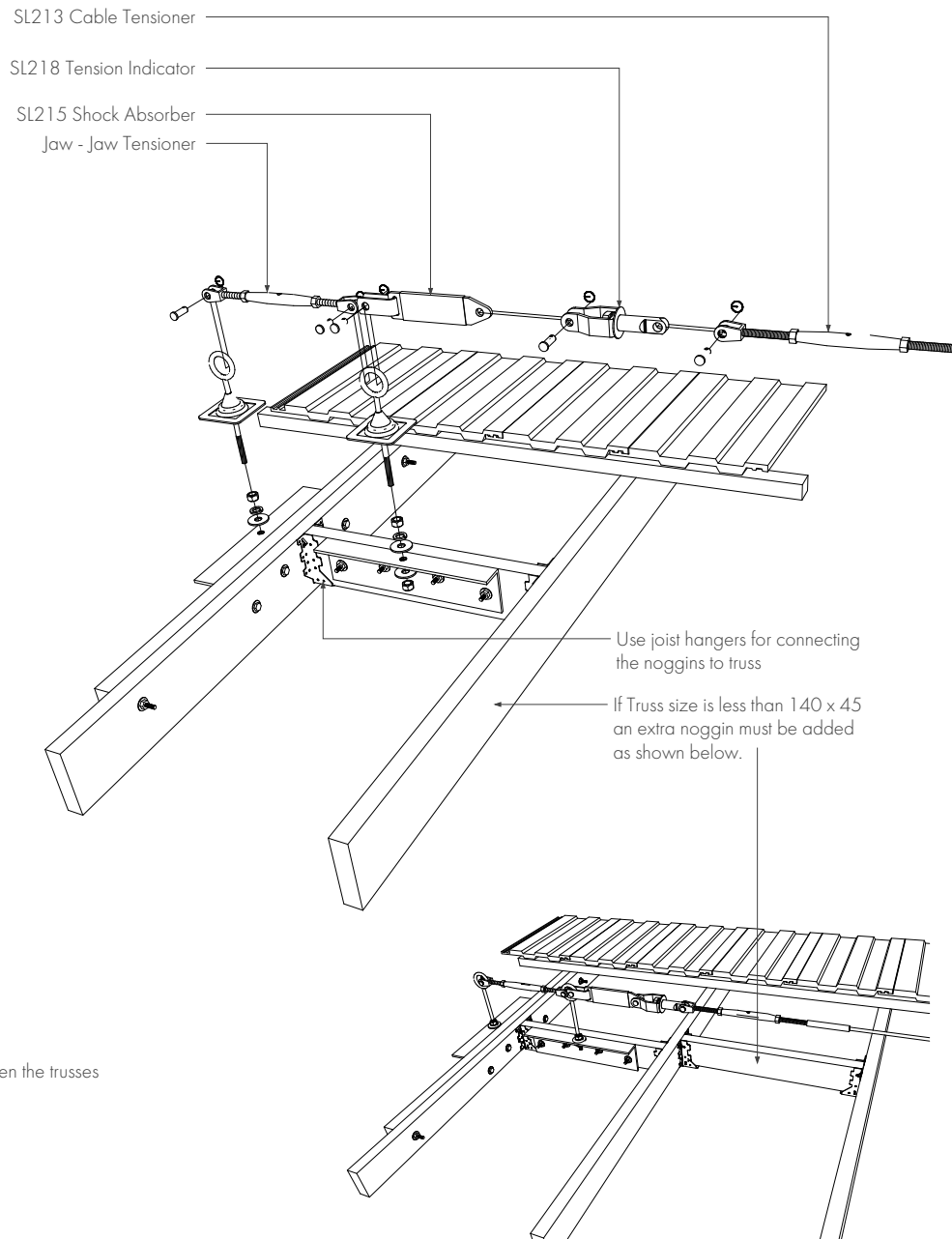


# END STANCHION DETAIL



Distance must be between  
280 & 380mm

140 x 45 Noggin to be added between the trusses



Use joist hangers for connecting  
the noggins to truss

If Truss size is less than 140 x 45  
an extra noggin must be added  
as shown below.