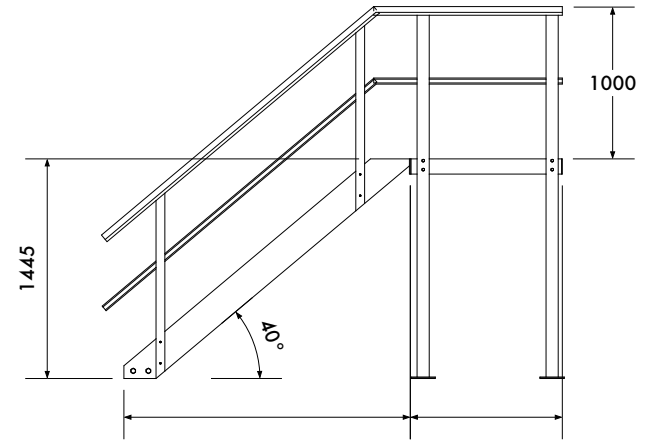


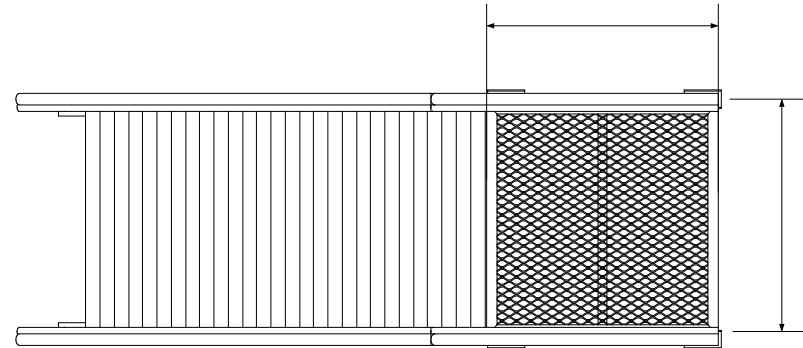
QTY: 1



SIDE VIEW



TOP VIEW



I hereby confirm that all site conditions and design measurements have been checked and are correct as shown above.

Sign Here if Approved

Date: / /

NOTE: All Drawings are designed to comply with current Australian Standards and Compliance Codes for maintenance access. Should the system require compliance with additional regulation or standard, SAYFA must be notified.



Sayfa Group  
1029 Mountain Highway  
Boronia Vic 3155  
Tel:- 03 8727 9000  
Fax:- 03 8727 9002  
Email:- technical@sayfa.com.au  
Web:- www.sayfa.com.au

SAYFA SYSTEMS CONFIDENTIAL MATERIAL  
This drawing is copyright© and all rights are reserved. The design and specifications contained herein are confidential and the property of SAYFA SYSTEMS. The information may not be divulged or used in any form or by any means, for any purpose other than that stated by SAYFA SYSTEMS. Storage, transmittal, forwarding to third party, copying, reproduction, viewing or scanning of this Drawing by any person or party, whether in whole or in part is prohibited, except with express prior written consent by SAYFA SYSTEMS. The perspective is only an indication of the planned installation.

ALTO 40deg Stairway @  
1445(H) & 1000 x 1000mm Platform

Material

Aluminium

Product Code

FC8766

FAB NO:

21805

REVISIONS

No	Date	By	Rep	REMARKS
1	15/10/15	CS	DR	Proofing
2				...
3				...
4				...
5				...