

The logo for ALTO, featuring the word "ALTO" in a bold, sans-serif font. The letter "A" is green, while "LTO" is black. A registered trademark symbol (®) is located to the upper right of the "O".

ALTO[®]

MODULAR STEP LADDERS


The logo for SAYFA GROUP, with "SAYFA" in a large, bold, sans-serif font and "GROUP" in a smaller, all-caps font below it.

SAYFA[®]
GROUP

1300 301 755
SAYFA.COM.AU

PRODUCT CODE
ST500M

PRODUCT SPECIFICATION
ALTO MODULAR STEP LADDERS

A photograph of a silver, modular step ladder leaning against a concrete wall. The ladder is made of metal and has several steps. In the background, there is a building with large windows and a yellow and black striped safety sign on the ground.

PROVIDE SAFE AND EASY ACCESS
TO VARYING HEIGHT APPLICATIONS
INCLUDING SERVICE PLATFORMS,
MACHINERY, ROOF DECKS AND
OTHER MAINTENANCE AREAS

PRODUCT
BROCHURE



ALTO[®] STEP LADDER

Sayfa Group leads the industry in the design, installation and management of access and fall protection safety systems.

The In-Action model demonstrates access and fall protection requirements for a commercial building design.

Sayfa Group recommendations fulfill current workplace requirements for the safety of building maintenance subcontractors, employees and the general public.

#	DESCRIPTION	
1	3 SIXTY	Fall Arrest Anchors
2	TRAVEL 8	Roof or Wall Mount Static Lines
3	SENTRY	Roof Mount Guardrails
4	ON-TRAK	Roof Walkways
5	PROTEX	Skylight Protectors
6	RAPTOR	Rigid Rail Systems

#	DESCRIPTION	
7	KATT	Rung Ladder Systems
8	VISTA	Fold Down Ladder Systems
9	ALTO	Step Ladders & Step Bridges
10	KOMBI	Stairs & Service Platforms
11	SKYDORE	Roof Access Hatches

For more information, please contact Sayfa Group directly.



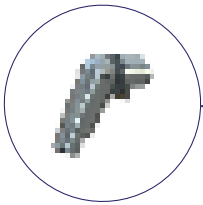
IT'S THE SAYFA WAY

EASY ACCESS FOR MAINTENANCE PERSONNEL MINIMISES RISK OF INJURY AND ENCOURAGES QUALITY PREVENTATIVE MAINTENANCE

FEATURES & BENEFITS

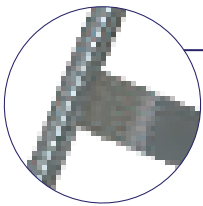
MODULAR ELBOW CONNECTOR

- Provides connection of handrails to platform



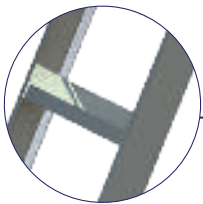
HANDRAIL MODULE

- Bolts to side of step ladder



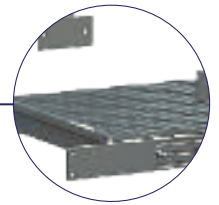
ADJUSTABLE TREAD SPACING

- Robust aluminium construction



PLATFORM

- Slotted for easy post attachment



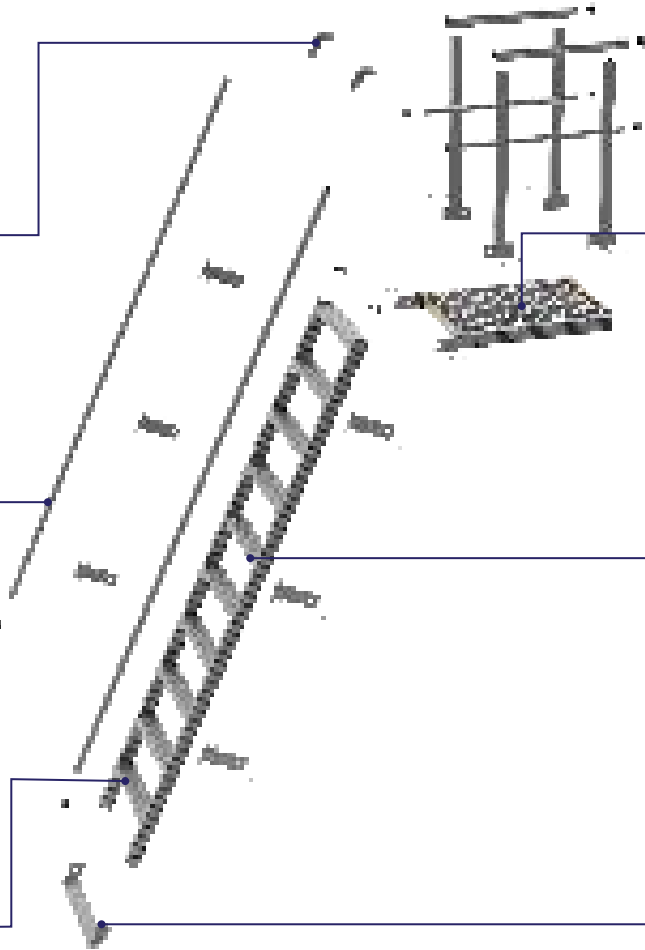
ANTI SLIP STEP TREAD

- Increased safety for users



BASE SUPPORT

- Easy attachment to varied surfaces



UNIQUE PRODUCT FEATURE

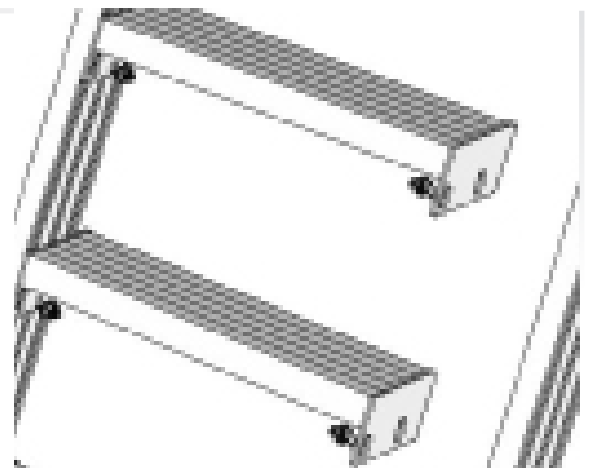
ALTO[®]

MODULAR ADVANTAGES

ECONOMICAL DELIVERY AND EASY ASSEMBLY

With each section designed and fabricated as separate components, significant delivery and crange cost savings are achieved. Easy bolt together assembly ensures rapid on-site installation.

PATENTS AND DESIGN REGISTRATIONS APPLY

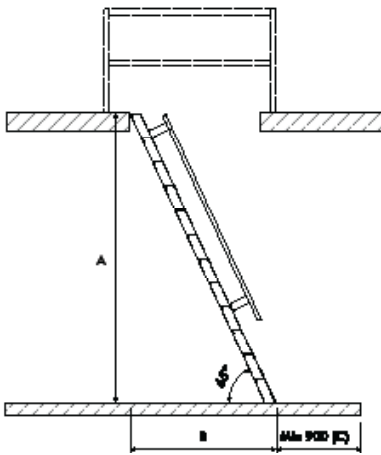


CONFIGURATIONS

ST570M MODULAR STEP LADDER ONLY



- Designed to attach to underside of roof hatch.



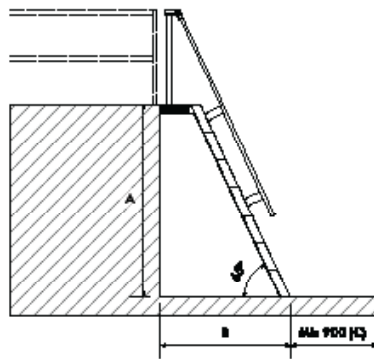
FOOTPRINT TABLE

A	B	C	B & C
1000	620	900	1520
2000	1080	900	1980
3000	1550	900	2450
4000	2020	900	2920
5000	2490	900	3390
6000	2960	900	3860

ST575M MODULAR STEP LADDER WITH 300MM PLATFORM



- Designed to attach to front face of structure or platform.



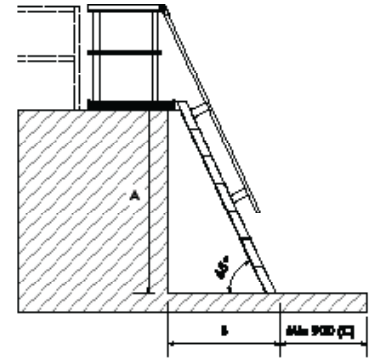
FOOTPRINT TABLE

A	B	C	B & C
1000	920	900	1520
2000	1380	900	1980
3000	1850	900	2450
4000	2320	900	2920
5000	2790	900	3390
6000	3260	900	3860

ST580M MODULAR STEP LADDER WITH 900MM PLATFORM



- Designed to attach to top of roof deck or structure with 900mm platform access.



FOOTPRINT TABLE

A	B	C	B & C
1000	620	900	1820
2000	1080	900	2280
3000	1550	900	2750
4000	2020	900	3220
5000	2490	900	3690
6000	2960	900	4160

CONFIGURATIONS



CODE	DESCRIPTION
ST570 Modular Stepladder Only	
ST570M.1000	Modular Step Ladder Only - 1000mm
ST570M.2000	Modular Step Ladder Only - 2000mm
ST570M.3000	Modular Step Ladder Only - 3000mm
ST570M.4000	Modular Step Ladder Only - 4000mm
ST570M.5000	Modular Step Ladder Only - 5000mm



CODE	DESCRIPTION
ST572 Modular Step Ladder Cage to suit ST570	
ST572M.1000	Modular Step Ladder Cage to Suit ST570M Step Ladder - 1000mm
ST572M.2000	Modular Step Ladder Cage to Suit ST570M Step Ladder - 2000mm
ST572M.3000	Modular Step Ladder Cage to Suit ST570M Step Ladder - 3000mm
ST572M.4000	Modular Step Ladder Cage to Suit ST570M Step Ladder - 4000mm
ST572M.5000	Modular Step Ladder Cage to Suit ST570M Step Ladder - 5000mm



CODE	DESCRIPTION
ST575M Modular Step Ladder, 300mm Platform	
ST575M.1000	Modular Step Ladder, 300mm Platform - 1000mm
ST575M.2000	Modular Step Ladder, 300mm Platform - 2000mm
ST575M.3000	Modular Step Ladder, 300mm Platform - 3000mm
ST575M.4000	Modular Step Ladder, 300mm Platform - 4000mm
ST575M.5000	Modular Step Ladder, 300mm Platform - 5000mm



CODE	DESCRIPTION
ST580M Modular Step Ladder, 900mm Platform	
ST580M.1000	Modular Step Ladder, 900mm Platform - 1000mm
ST580M.2000	Modular Step Ladder, 900mm Platform - 2000mm
ST580M.3000	Modular Step Ladder, 900mm Platform - 3000mm
ST580M.4000	Modular Step Ladder, 900mm Platform - 4000mm
ST580M.5000	Modular Step Ladder, 900mm Platform - 5000mm



CODE	DESCRIPTION
ST577M ALTO Step Ladder Cage to Suit ST580, ST575	
ST577M.1000	Modular Step Ladder Cage to Suit ST580 / ST575 - 1000mm
ST577M.2000	Modular Step Ladder Cage to Suit ST580 / ST575 - 2000mm
ST577M.3000	Modular Step Ladder Cage to Suit ST580 / ST575 - 3000mm
ST577M.4000	Modular Step Ladder Cage to Suit ST580 / ST575 - 4000mm
ST577M.5000	Modular Step Ladder Cage to Suit ST580 / ST575 - 5000mm

TECHNICAL SPECIFICATION

SYSTEM CODE ALTO MODULAR STEP LADDER SYSTEM
ST500M

TECHNICAL DATA

MATERIALS

- All componentry and accessories manufactured from high grade structural aluminium with options for powder coating.

DIMENSIONS

- Maximum height - 5.0m
- Overall ladder width - 650mm
- Distance between stiles - 560mm
- Step size - 600mm (L) x 100mm (W) x 38mm (H)
- Step spacing - up to 300mm
- Stile extension above landing surface - 1000mm
- Minimum clearance behind ladder - 150mm
- Angle of slope - 65°

FIXINGS

- Steel purlin (min 2.0mm) / M10 S/S bolt or M8 toggle bolt or 14G tek screw
- Steel structure / M10 S/S bolts
- Concrete (min 25MPa) / M10 tru-bolt or M8 screw bolt
- Brick / M8 Screw Bolt
- Composite Panel / M10 through bolt or M8 toggle bolts

(Refer instruction manual)

WORKING LOAD LIMIT

Recommended for single person use - 150kg rated.

Industrial rated, suited to high frequency usage.

Support structure integrity, suitability and fixing method to be assessed and determined by an engineer unless it is clear to a competent person prior to installation.

COMPLIANCE

Alto Step Ladder System is designed to comply with requirements of Australian Standard AS1657:2018 and relevant statutory WHS Codes of Practice/Guidelines. Slip resistance testing to AS4586:2013 (Rating - R11).

TESTING

Testing and performance based on requirements of Australian Standard AS1657:2018.

PRODUCT WARRANTY

10 years from date of purchase subject to correct installation, use and maintenance in accordance with manufacturer's specifications and recommendations.

INSPECTION AND MAINTENANCE

Inspection and certification required every 12 months by competent person in accordance with manufacturer's specifications and requirements of Australian Standards AS1657:2018 and AS/NZS 1891.4:2009 Section (9).
(Refer instruction manual.)

IMPORTANT NOTE

Failure to supply and/or install proprietary product in accordance with above standards and codes, specifications and instructions voids complete system certification and/or warranty.

Designed and manufactured by Sayfa Group. For all technical assistance contact Sayfa Group. SAYFAGROUP-17.09.2021

WARRANTY

WARRANTY PERIOD ON THIS SYSTEM - 10 YEARS FROM DATE OF PURCHASE

Should you have a warranty claim as a result of a defect the following procedure must be followed:

Identify the following information:

- The product/system name and code number.
- The date of purchase/installation.
- Installation company details.
- The installation identification number.
- The name of the company using this system.
- A description of the defect/warranty claim.
- The periodic system maintenance report.

Forward the above information to sales@sayfa.com.au or contact technical helpline, 1300 301 755.

NEVER HAS SAFETY
IN THE WORKPLACE
HAD A HIGHER PRIORITY

TERMS & CONDITIONS

All warranty claims must be made in writing within 14 days of the appearance of the defect.

Incorrect installation or work done by a non accredited Sayfa system installer will void all warranty rights.

Systems that have been installed using non proprietary equipment will void all warranties.

System roof/cladding penetration seals are not covered in this warranty.

Systems/components that have not been maintained in accordance with manufacturer's/legislative requirements will void warranty.

Systems used by incompetent persons or use with non compatible accessories ie. harness gear, lanyards, travellers, fall arrestors etc. will void warranty.

Systems/components used for purposes other than their intended use will void warranty.

General wear and tear is expected and will depend on the frequency of use and is not covered by warranty.

DISCLAIMER

All product specifications and technical descriptions, recommendations and other information provided, are given as general guidance and advice, and are to be read in conjunction with Sayfa Group installation instructions and any other data available and applicable to each particular standard product or system. Use of such data is however the user's sole responsibility, taking into account the intended application and actual conditions existing on the particular worksite. Consequent selection of the right product for any particular use, remains the user's ultimate responsibility. Sayfa Group is therefore not obligated or liable for any direct or indirect, incidental or consequential damages, losses or expenses in connection with, or by reason of the suitability and use of or otherwise, any product or system for any purpose. Implied warranties of merchantability or fitness for any particular purpose, are specifically excluded.

All Sayfa Group products must be installed and used by competent personnel trained in the selection, safe use and maintenance of fall arrest systems and equipment by a registered training organisation (RTO) Installation not in accordance with Sayfa Group requirements or the use of non Sayfa Group components will void all certification and warranties.

Suitability of support structure and design layout of system is the responsibility of the installer and should be verified by a competent person trained by a Registered Training Organisation (RTO) in the selection, safe use and maintenance of fall arrest systems and equipment or approved by a structural engineer to ensure conformance.

Sayfa Group maintains a policy of continuous improvement and development, and therefore reserves the right to modify, amend or otherwise alter product and system designs and specifications, models and part numbers, colours and pricing etc without prior notice. Errors and omissions are excepted, and Sayfa Group accepts no liability for incorrect information, errors or omissions.



1029 MOUNTAIN HWY
BORONIA VIC 3155
AUSTRALIA

T 1300 301 755
F 1300 881 092
E SALES@SAYFA.COM.AU

FOR MORE INFORMATION
VISIT SAYFA.COM.AU



THE SAYFA GROUP

WE SAVE LIVES!

This is our Mission, and it drives our Vision to BRING EVERY WORKER HOME SAFELY.

Sayfa Group leads the industry in the design, installation and management of access, fall protection and ground safety systems. As an Australian owned company, we engineer and rigorously test our proprietary systems to exceed national and international standards. Simple installation and easy to use systems are our key drivers for ensuring maximum effectiveness, improved safety and compliance with Occupational Health and Safety standards in the workplace.

OUR VALUES

We are governed by the following principles in everything we do:

- A – Accountability / Totally responsible and answerable for our actions.
- L – Loyalty / Steadfast and dependable based on our values in our dealings with one another.
- I – Integrity / Honest and sincere, we do what we say, on time every time.
- V – Value Driven / Increase what's of value in view of a win win plan for all.
- E – Enthusiastic / Motivated and inspired to continuously perform better.

COMMITMENT

We are passionate about our work with every product a testament to our commitment of world class safety, quality and performance. Our obligation is to live up to our own high standards as well as those of our customers and stakeholders ensuring total peace of mind.

