

# ANCHOR WITH RIVETS ONLY INSTALLATION CRITERIA

## CLIP-FIX TYPE ROOF

NO. OF PURLINS

3 - 9 PURLINS (ROOF SHEET ± 2 - 10m Long)

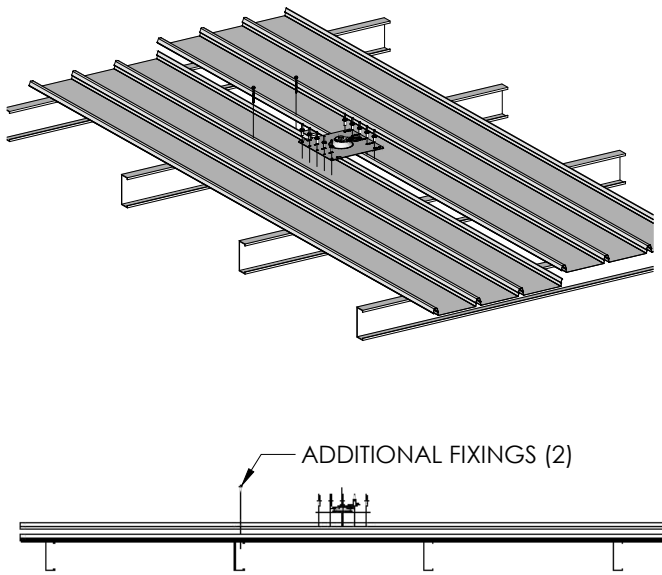
10+ PURLINS (ROOF SHEET ± 12m+)

1. ANCHOR CAN BE FIXED OVER 2 ROOF SHEETS
2. ANCHOR CAN BE FIXED IN CENTRE OF ROOF SHEET
3. 2 X ADDITIONAL 14G FIXINGS REQUIRED TO SECURE ROOF SHEET

1. FIXING POSITION AS PER PREVIOUS
2. NO ADDITIONAL FIXINGS REQUIRED IN ROOF SHEET

### CHECKING CRITERIA

<p>A</p>	<p>1. REQUIRES ADDITIONAL FIXINGS IF LESS THAN 10 PURLINS</p>
<p>B</p>	<p>1. REQUIRES ADDITIONAL FIXINGS IF LESS THAN 10 PURLINS</p>
<p>C</p> <p>FULL LAP</p>	<p>1. REQUIRES ADDITIONAL FIXINGS IF LESS THAN 10 PURLINS</p>
<p>D</p> <p>HALF LAP</p>	<p>1. INSTALLATION INCORRECT 2. POTENTIAL ROOF SHEET DELAMINATION 3. RE-INSTALL ANCHOR AS PER A</p>



NOTE - Screw can be on either upside or downside of roof

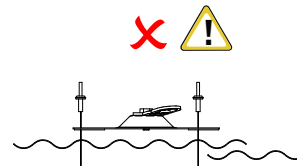
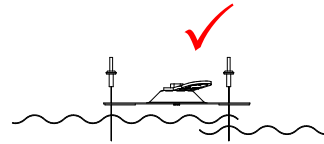
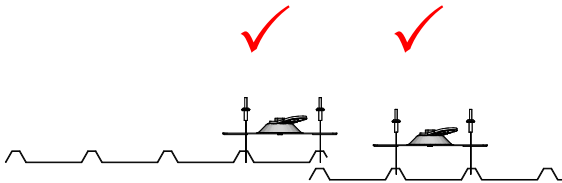
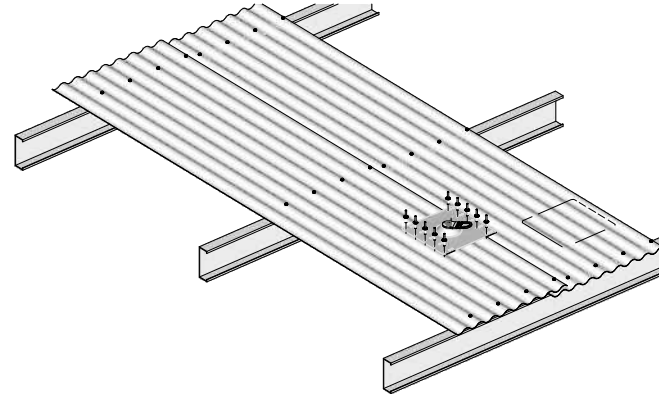
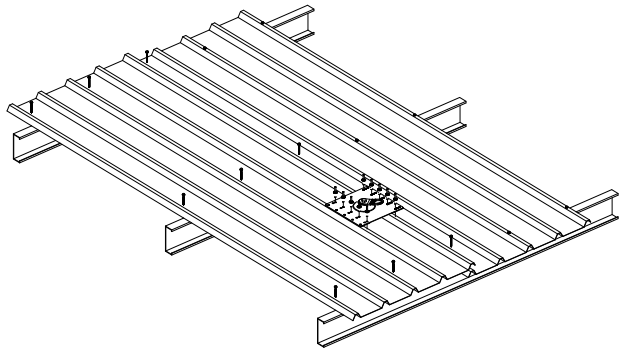
# ANCHOR WITH RIVETS ONLY INSTALLATION CRITERIA

## SCREW-FIX TYPE ROOF

NO. OF PURLINS

3 PURLINS MINIMUM

FIX ANCHOR OVER 2 ROOF SHEETS OR IN MIDDLE



1. ANCHOR RIVETED THROUGH LAP OR MID PANEL
2. NO ADDITIONAL FIXINGS REQUIRED

1. ANCHOR RIVETED THROUGH LAP
2. NO ADDITIONAL FIXINGS REQUIRED

1. INSTALLATION INCORRECT
2. POTENTIAL ROOF SHEET DELAMINATION
3. RE-INSTALL ANCHOR AS PER ABOVE