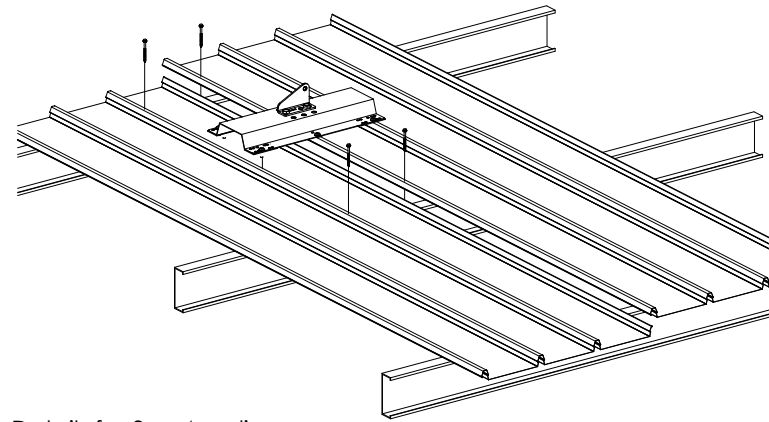
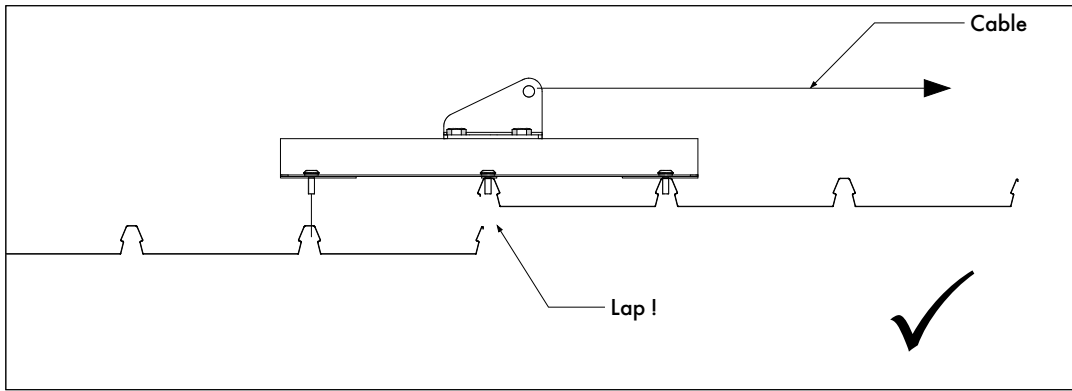
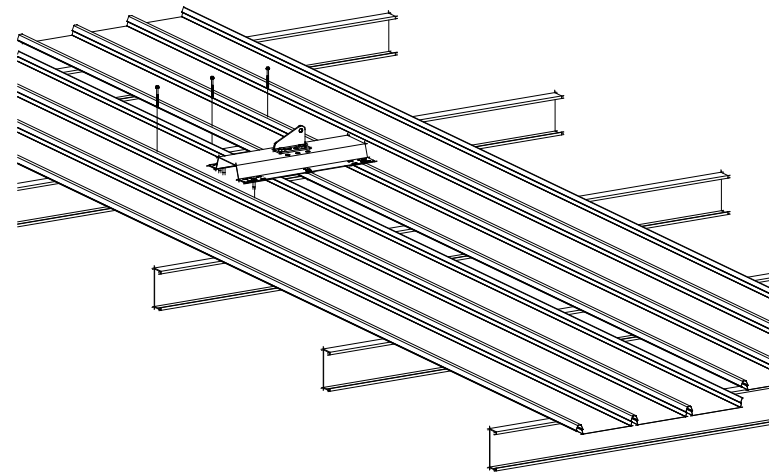
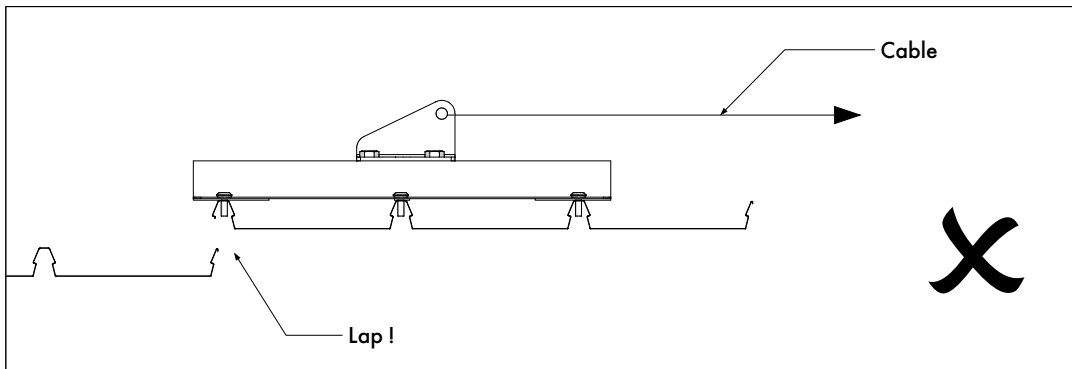


CLIP-FIX TYPE ROOFING

IT IS MOST IMPORTANT TO ENSURE ANCHOR IS RIVETED CORRECTLY IN RELATION TO THE LAP



Details for 3 or 4 purlins
Min 4 Fixings into purlins - Fixings into purlin above and below anchor plate



5-9 purlins - 3 Fixings into purlin above or below anchor plate (Into closest purlin)
10+ Purlins - No additional fixings required

NOTE
Additional Screws must be inserted through the roof sheet and into the purlin as well.
ALL ANCHOR PLATES SHOULD BE FIXED TO THE PURLINS WHERE POSSIBLE.