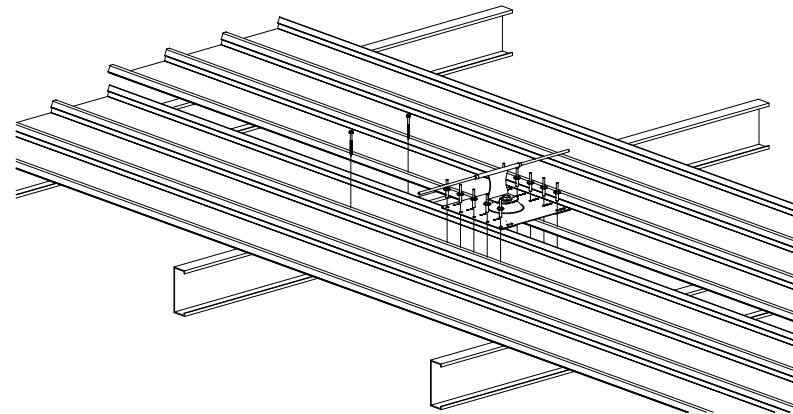
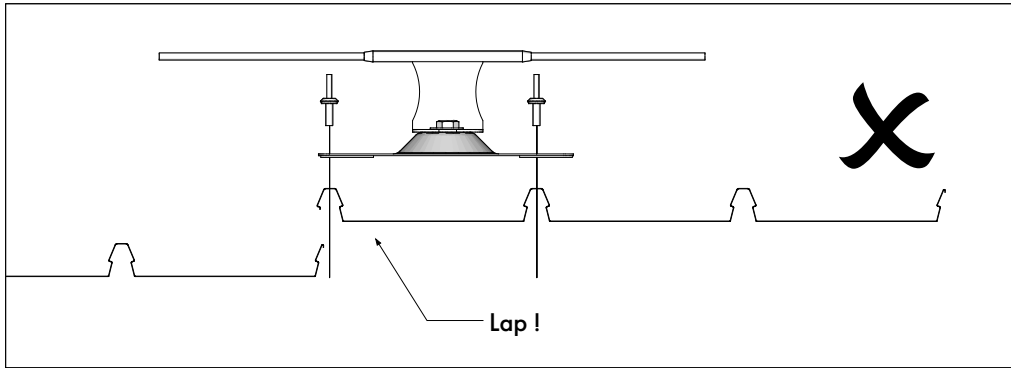
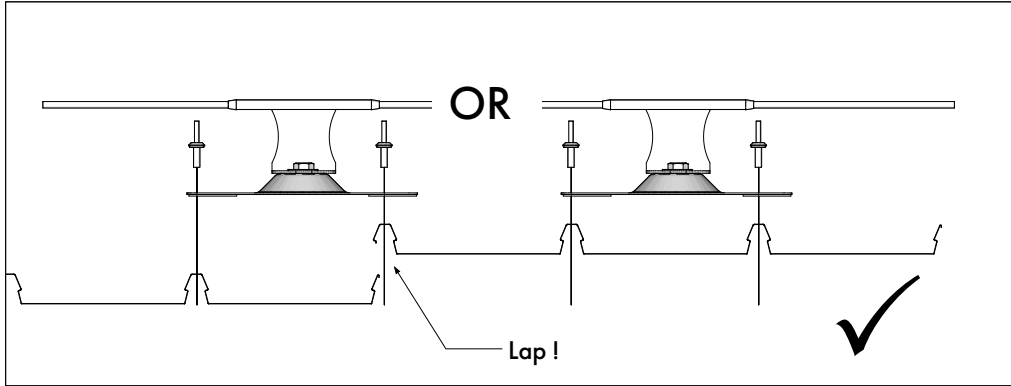


**INTERMEDIATE FIXINGS WITH RIVETS ONLY
CLIP-FIX TYPE ROOFS**

IT IS MOST IMPORTANT TO ENSURE ANCHOR IS RIVETED CORRECTLY IN RALATION TO THE LAP



Details for 3 - 9 purlins
2 x 14G Fixings into purlin above OR below anchor plate
(Refer to drawing no. D8467 for further details)

NOTE

Additional Screws must be inserted through the roof sheet and into the purlin as well.
ALL ANCHOR PLATES SHOULD BE FIXED TO THE PURLINS WHERE POSSIBLE.

