

SKYDOOR SLIDING ROOF HATCH

INSTALLATION GUIDE



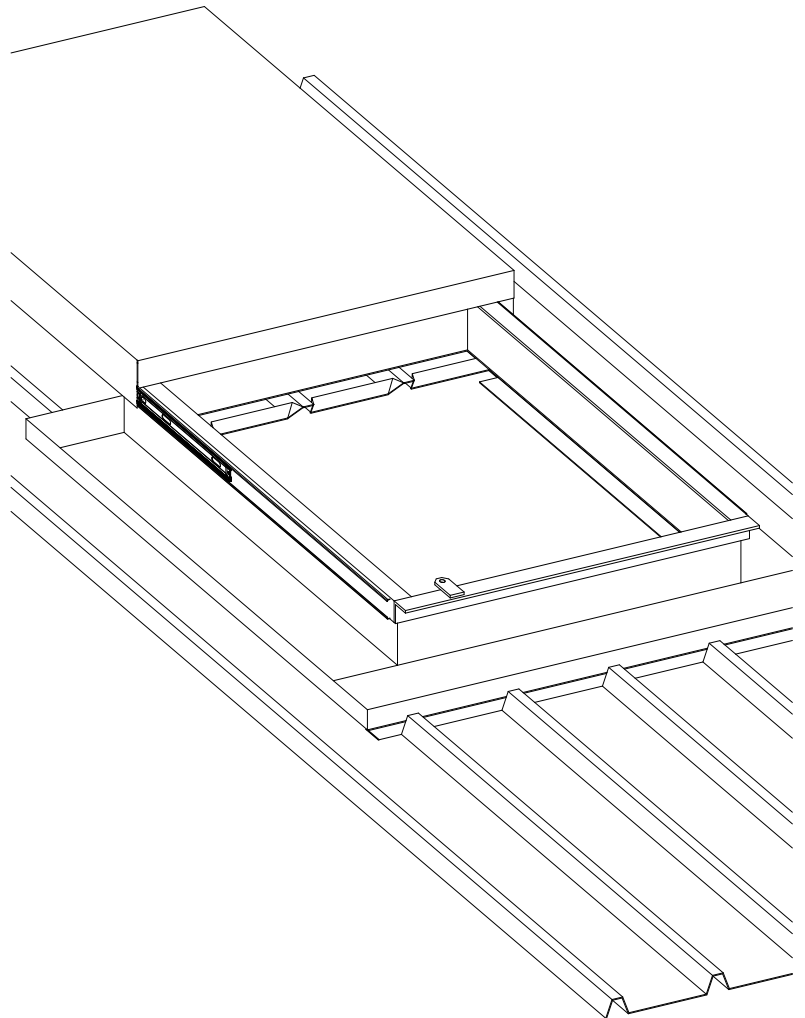
SKYDORE® ROOF ACCESS HATCH

The Skydore Roof Access Hatch is an industrial/commercial rated roof access

hatch where safe access/egress to roof, for maintenance, is gained internally.

Fabricated from zinalume material with an aluminium frame with option for a powder coated finish.

The sliding hatch offers a safe, easy operating system for larger openings and windy environments.



PLEASE NOTE:-

The instructions that follow does not override any regulatory plumbing or other authority. Installers must possess valid industry licences, be appropriately trained, and comply with all relevant OH&S legislation.

SKYDOOR SLIDING ROOF HATCH



CONTENTS

SKYDOOR INSTALLATION	Page 3
FALL PREVENTION METHODS	Page 8

IMPORTANT!

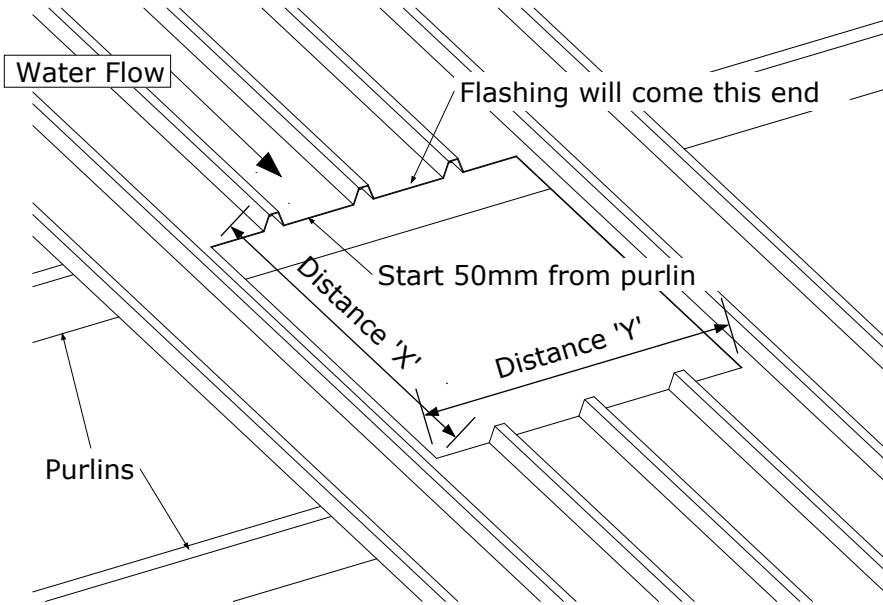
- > Read installation and operating instructions carefully before commencing any work.
- > Conduct an initial work/risk assessment, and take all reasonable precautions to eliminate or reduce potential hazards and risks.
- > Complete all necessary OH&S documentation, including a Job Safety Analysis and Work Method Statement.
- > Installers must possess valid industry licences, be appropriately trained, and comply with all relevant OH&S legislation.
- > Ensure support structure to which unit is fixed, can sustain design loads. (Prior approval may be required from a qualified engineer unless it is clear to a competent person that the structure is adequate).
- > Do not modify or remove any existing structural component without prior authorisation.
- > Any re-routing of electrical and/or other services must be carried out by qualified or authorised personnel.
- > Appropriate temporary access and safety equipment must be used during installation, such as platform ladders or scaffolding and fall protection anchorage points.
- > In case of emergency/rescue, unit must be installed by a minimum of two persons.
- > Do not tamper with, modify or remove any part of unit unless authorised by a responsible person.
- > ENSURE UNIT IS USED BY AUTHORISED AND COMPETENT PERSONNEL ONLY.

SAYFA SYSTEMS DISCLAIMER SITE INSTALLATION OF SAYFA PRODUCTS

All Sayfa® products and systems must only be installed by competent and accredited persons. Installers must be adequately trained and experienced in working at heights. Applicable Australian Standards and OHS Acts and Regulations, Codes of Practice and Guidelines must be strictly adhered to. Sayfa Systems instructions and recommendations, drawings and diagrams, and all other documentation are copyright, errors and omissions excepted, and must be carefully read and implemented. Any assistance or guidance given is without prejudice, and Sayfa Systems cannot be held responsible for any inaccuracy or misinterpretation whatever. Failure to follow site installation requirements and warnings, may result in serious injury or death. Sayfa Systems accepts no direct or indirect responsibility and/or consequential liability whatever, for any products and systems incorrectly installed or certified. Sayfa Systems cannot warrant the integrity or suitability of the structure to which the products may be attached. Prior assessment must be made by a qualified design engineer, unless the structure is authorised or approved by a competent person.

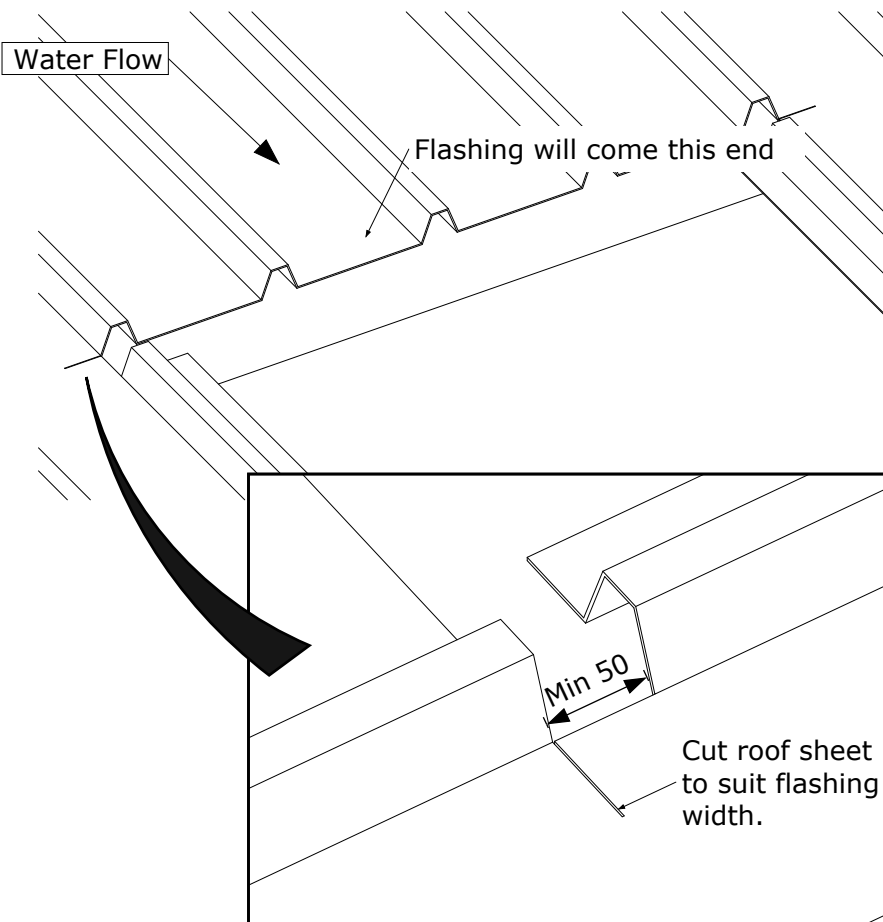
SKYDOOR SLIDING ROOF HATCH

INSTALLATION GUIDE



1

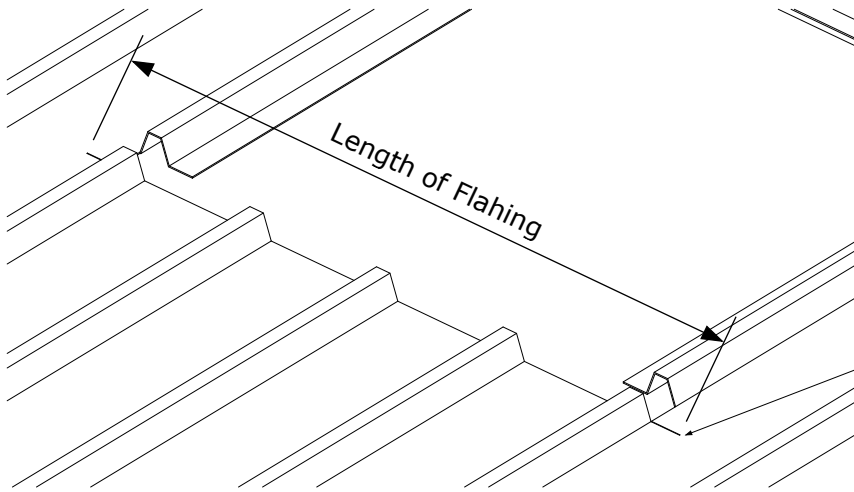
Cut hole into roof sheet ensuring that the side which the person will be existing is near to a purlin. (Start approx 50mm from purlin and work back.)
 Distance 'X' - Should be approx 250mm bigger than hatch opening size.
 Distance 'Y' - Should be same size as hatch opening size.
 So for a 1000 x 800 hatch - opening will be 1250 x 800 & 1000 x 1200 opening will be 1250 x 1200. (Site conditions and type of roof deck may alter this)



2

At the end, where the flashing is to be fitted, cut slots in roof sheet to allow water to flow around hole opening. (see next step)

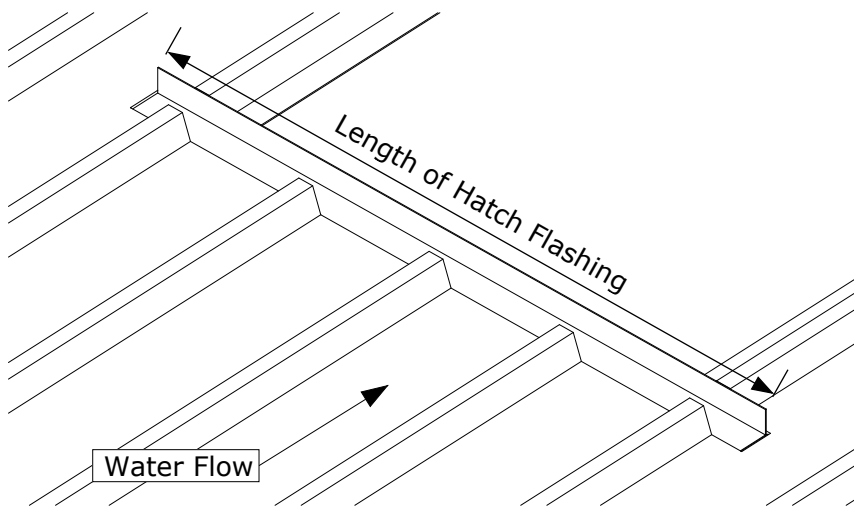
SKYDOOR SLIDING ROOF HATCH



3

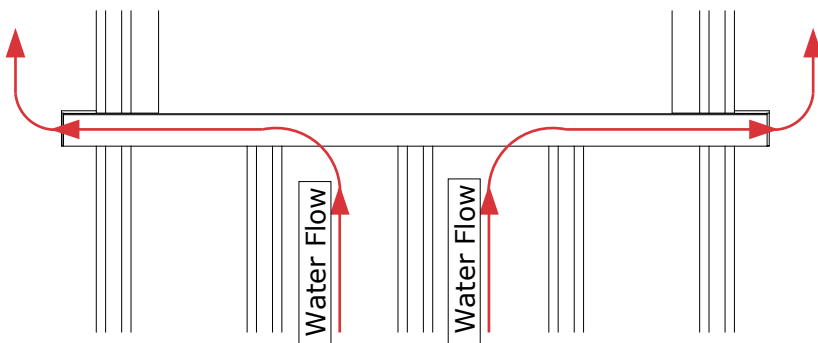
Flashing must be fitted such that the water will flow outside the main opening.

Cut slot (flashing to slide in, under roof sheet)

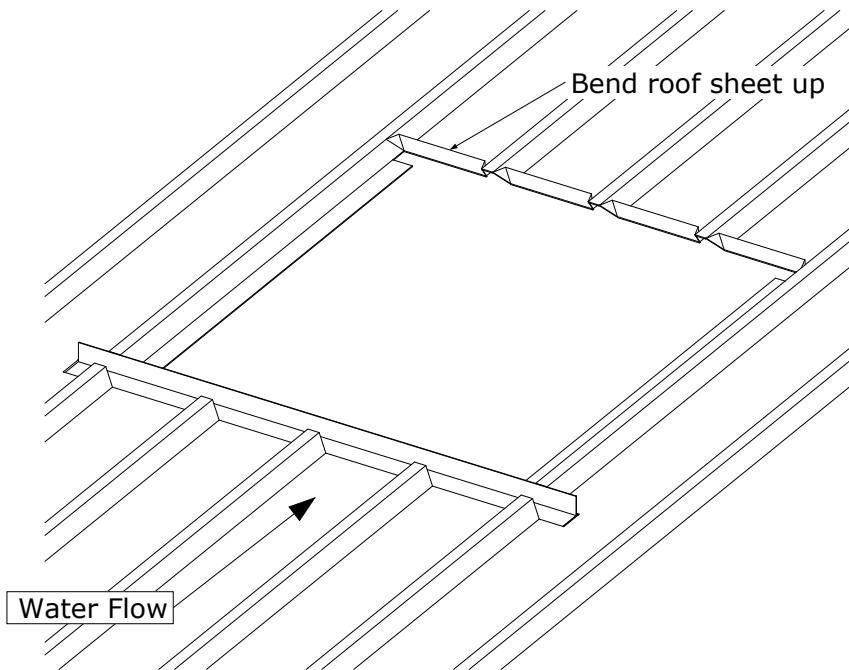


4

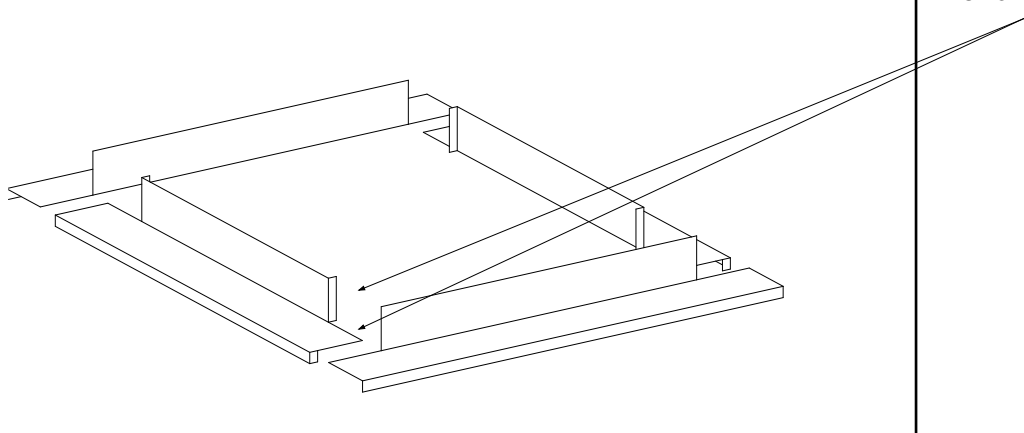
Fit flashing into position and rivet into position. Seal off any penetrations with silicone.



SKYDOOR SLIDING ROOF HATCH



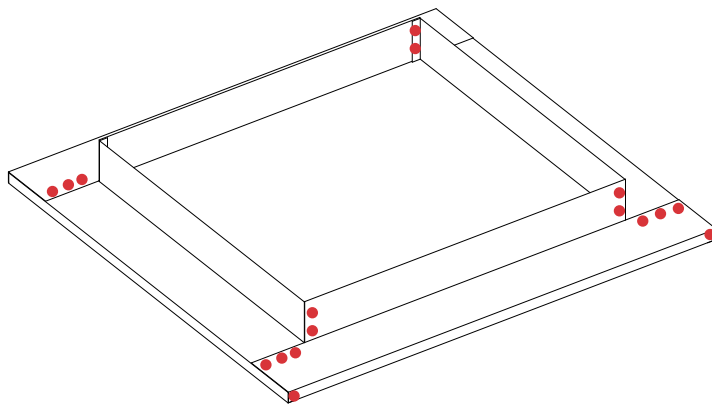
- 5** Lower end of roof sheet must have the 'trays' bent up to prevent water backflow.



- 6** Flashing kit can now be put together. Apply a liberal amount of silicone between joints.

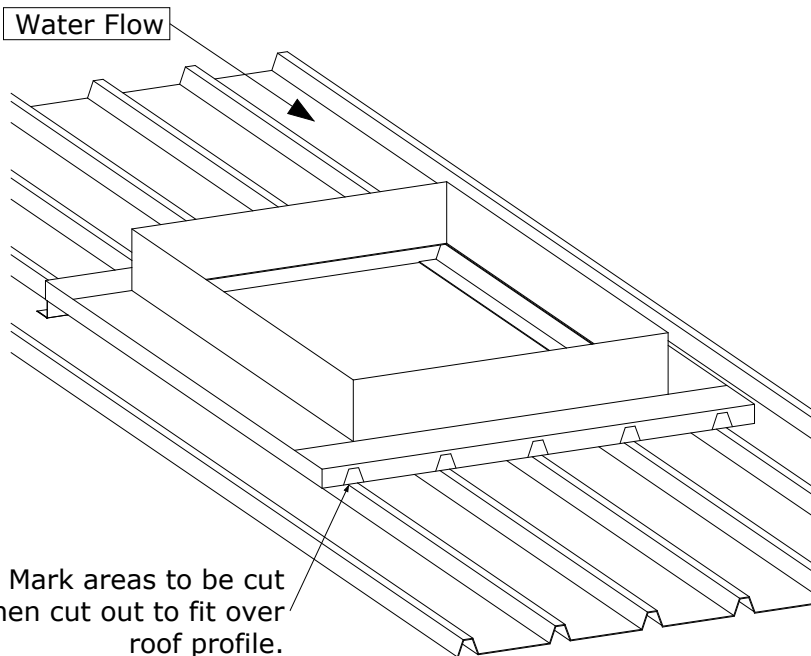
SKYDOOR SLIDING ROOF HATCH

INSTALLATION GUIDE



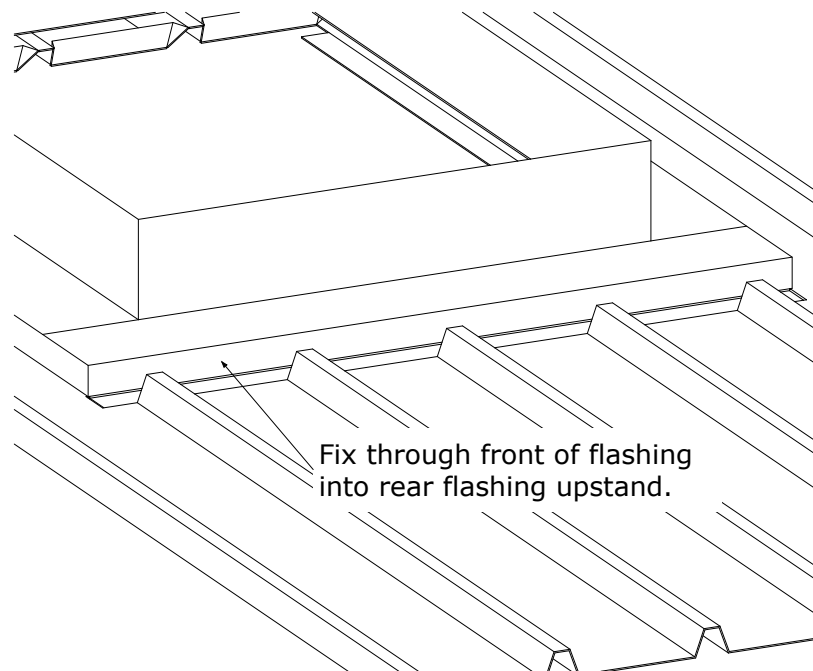
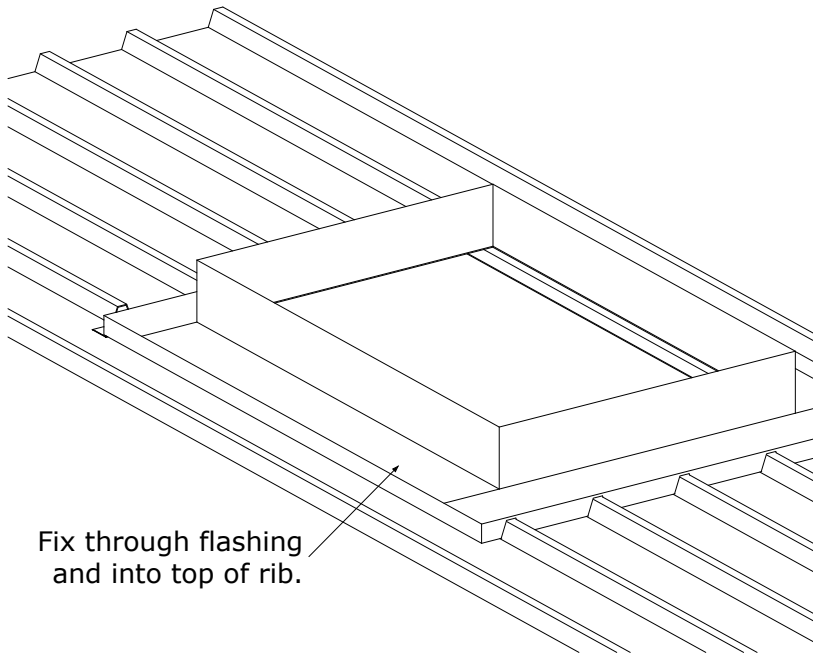
Rivet in areas marked with ● on all 4 corners

7 | Flashing can now be riveted together. Apply more silicone if need be (over rivets)



8 | Roof Hatch main flashing can now be placed into position. Mark the flashing for the cut outs. (follow roof profile) Cut these sections out.

SKYDOOR SLIDING ROOF HATCH

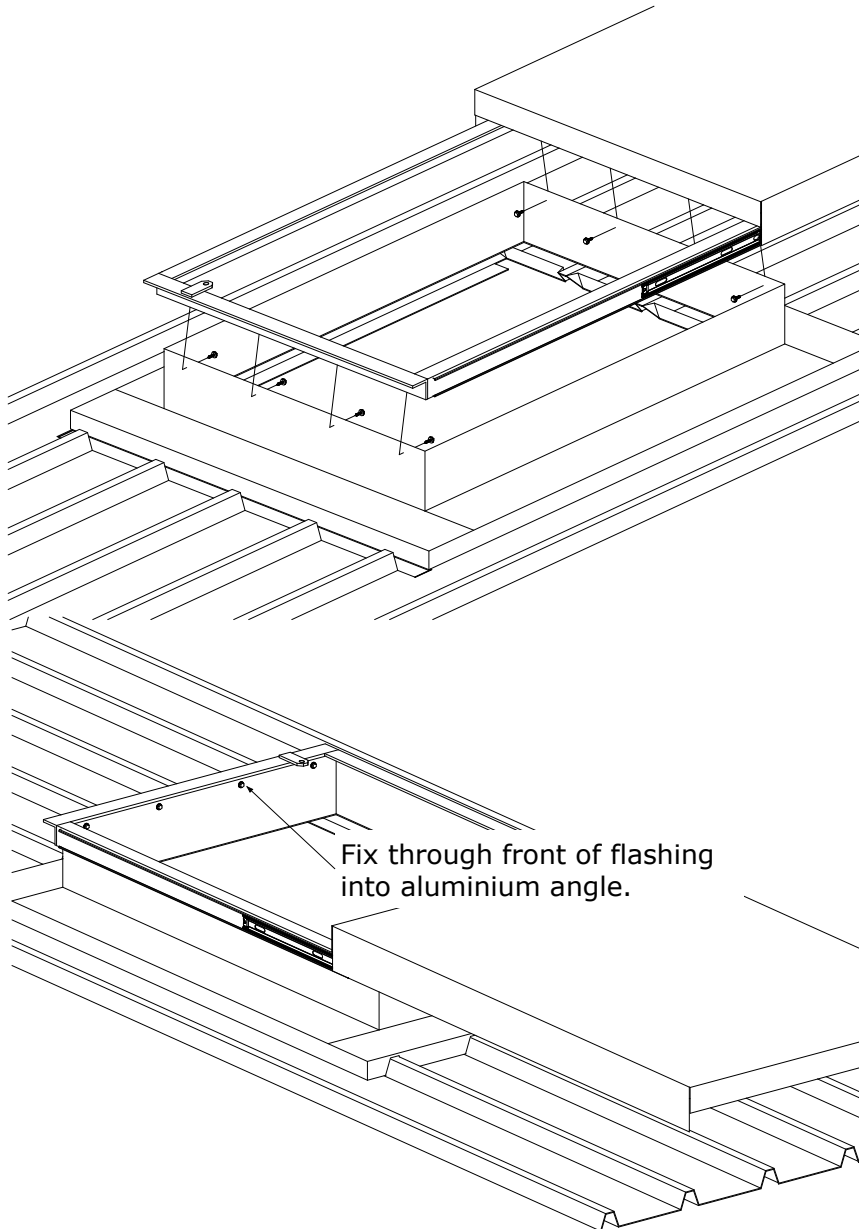


- 7** | Roof Hatch can now be placed into position and fixed down using pop rivets. All penetrations should then be sealed using silicone or Sika Flex.

- 8** | Fix front of hatch through front of flashing and into rear flashing upstand using rivets.

SKYDOOR SLIDING ROOF HATCH

INSTALLATION GUIDE



9 Sliding Hatch can now be placed over flashing and fixed into position. All penetrations should then be sealed using silicone or Sika Flex.

10 Fix using 20mm Tek screws as shown.

The SKYDOOR SLIDING ROOF HATCH is now ready for use.

It is strongly recommended that a fall protection is included for protection around the roof opening. Some examples are shown below.

