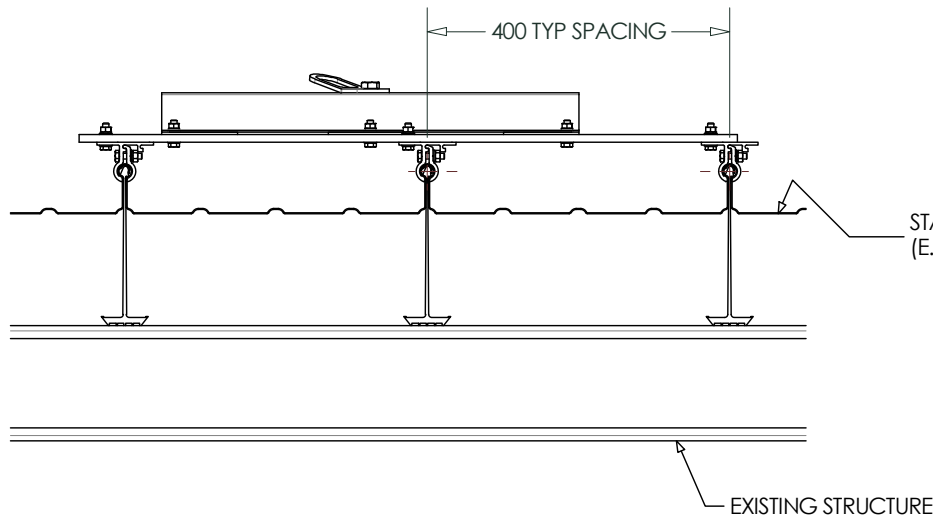


DRILL Ø10 HOLES ONSIDE WHERE REQUIRED



ITEM	DESCRIPTION
1	XPLORA TOP MOUNT SWIVEL ROPE ACCESS ANCHOR
2	ROOFDECK CLAMP SET ONLY - 400mm
3	END STANDING SEAM ANC MNT PL - 870mm(L)
4	M8 X 30 BOLT & WASHER KIT

ROOFSHEET TO BE FIXED TO MIN OF 3 PURLINS U.N.O.