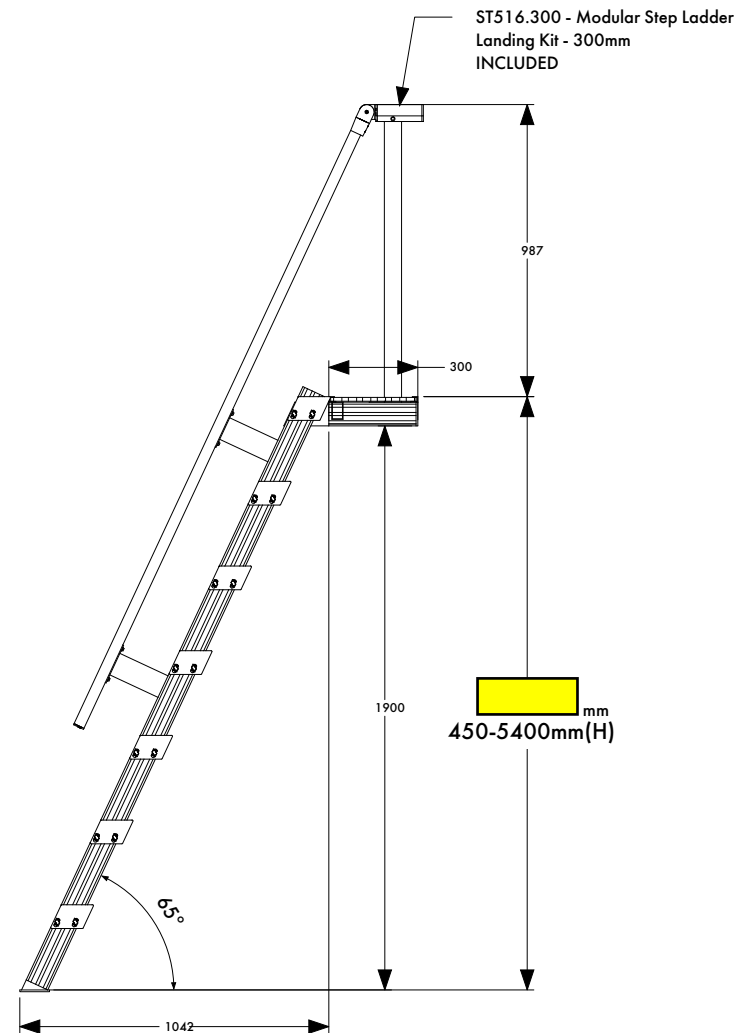
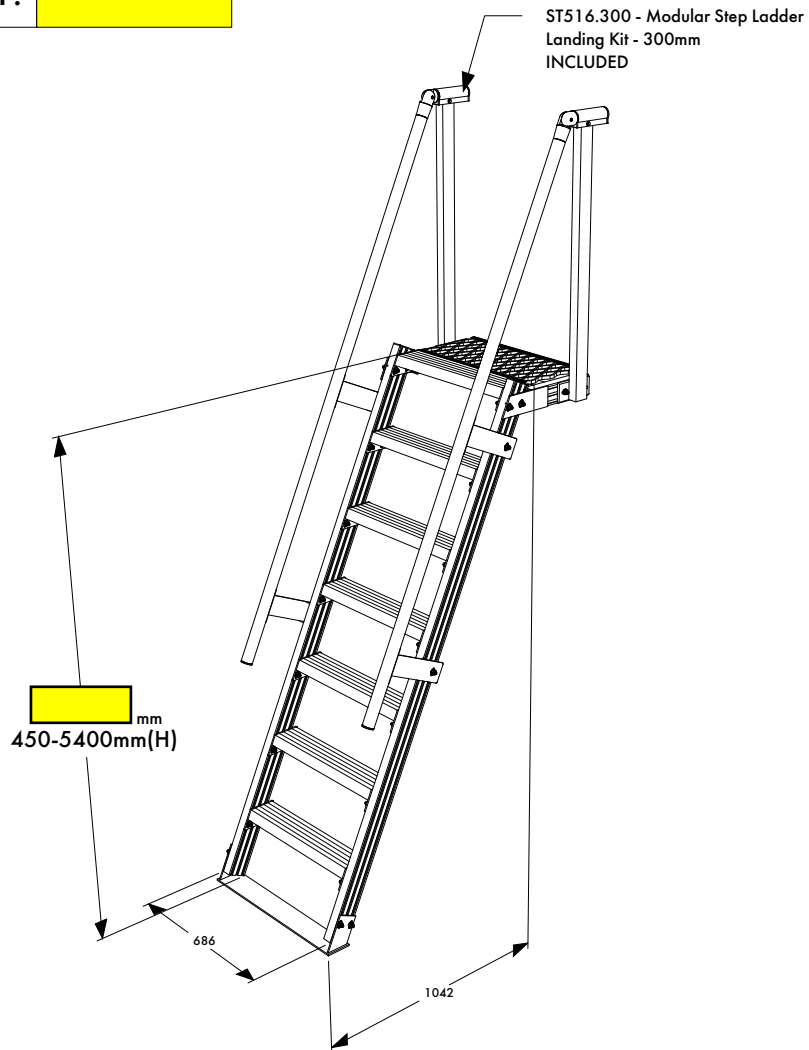


QTY:



I hereby confirm that all site conditions and design measurements have been checked and are correct as shown above.

Sign Here if Approved

Date: / /

DRAWING NOT TO SCALE

NOTE: All Drawings are designed to comply with current Australian Standards and Compliance Codes for maintenance access. Should the system require compliance with additional regulation or standard, SAYFA must be notified.



Sayfa Group
1029 Mountain Highway
Boronia Vic 3155
Tel:- 03 8727 9000
Fax:- 03 8727 9002
Email:- technical@sayfa.com.au
Web:- www.sayfa.com.au

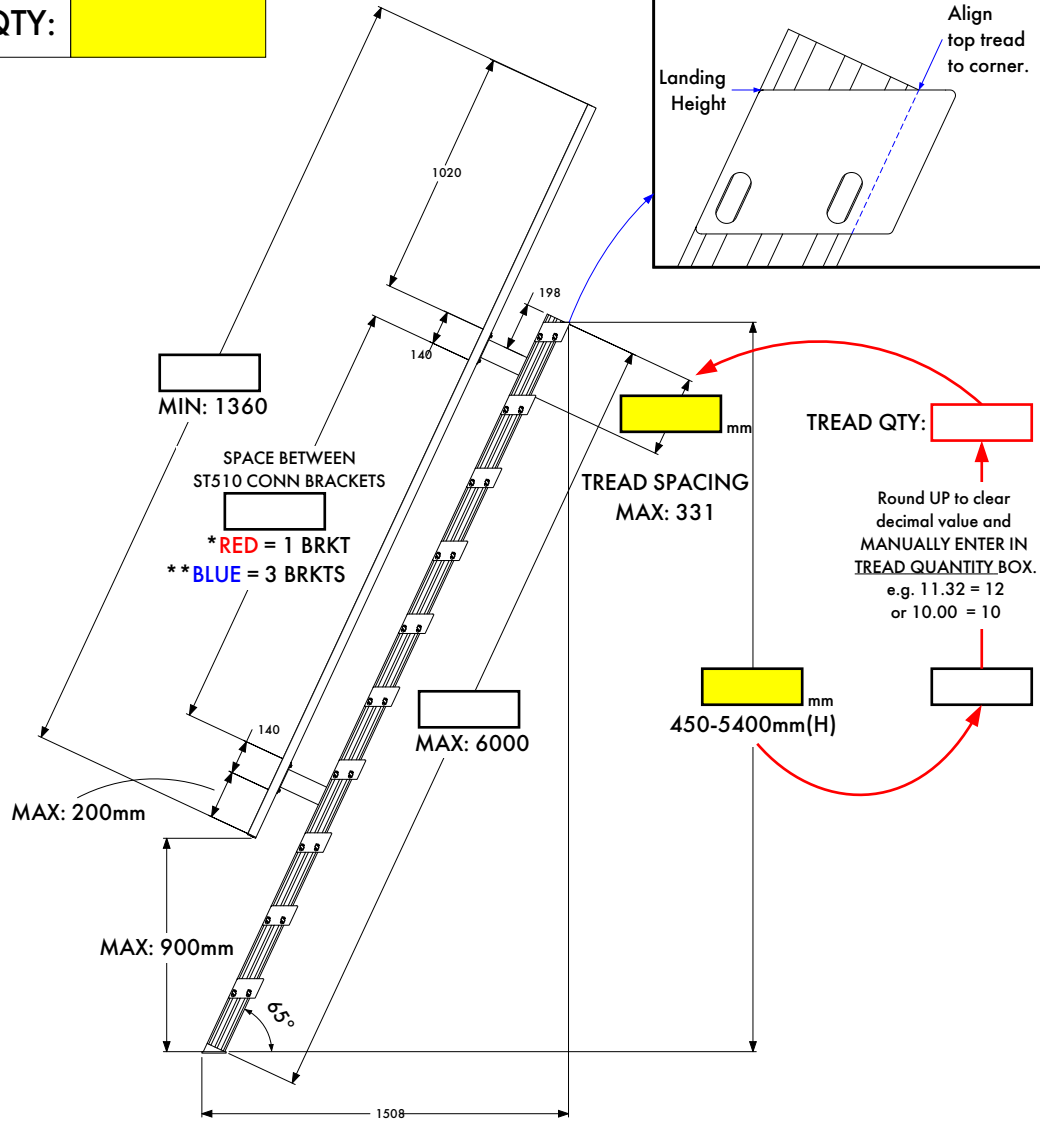
SAYFA SYSTEMS CONFIDENTIAL MATERIAL
This drawing is copyright© and all rights are reserved. The design and specifications contained herein are confidential and the property of SAYFA SYSTEMS. The information may not be divulged or used in any form or by any means, for any purpose other than that stated by SAYFA SYSTEMS. Storage, transmittal, forwarding to third party, copying, reproduction, viewing or scanning of this Drawing by any person or party, whether in whole or in part is prohibited, except with express prior written consent by SAYFA SYSTEMS. The perspective is only an indication of the planned installation.

Modular Step Ladder with 300mm Landing Kit - INTERACTIVE

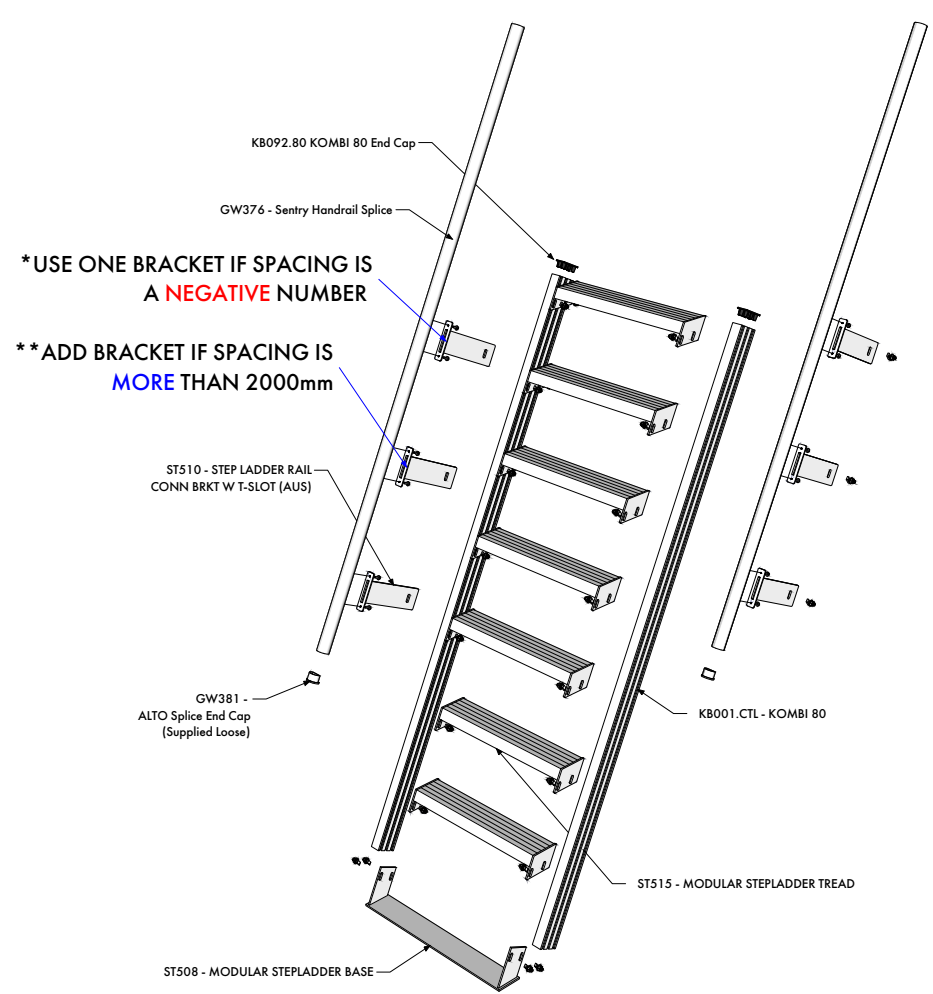
Material	Aluminium	PAGE 1 of 2
Product Code	ST575M	FAB NO:

REVISIONS				Drawing No. ST575M
Date	By	Rep	REMARKS	
05/10/20	CS		Master	
			...	
			...	
			...	
			...	

QTY:



GENERAL COMPONENTS



I hereby confirm that all site conditions and design measurements have been checked and are correct as shown above.

Sign Here if Approved

Date: / /

DRAWING NOT TO SCALE

NOTE: All Drawings are designed to comply with current Australian Standards and Compliance Codes for maintenance access. Should the system require compliance with additional regulation or standard, SAYFA must be notified.

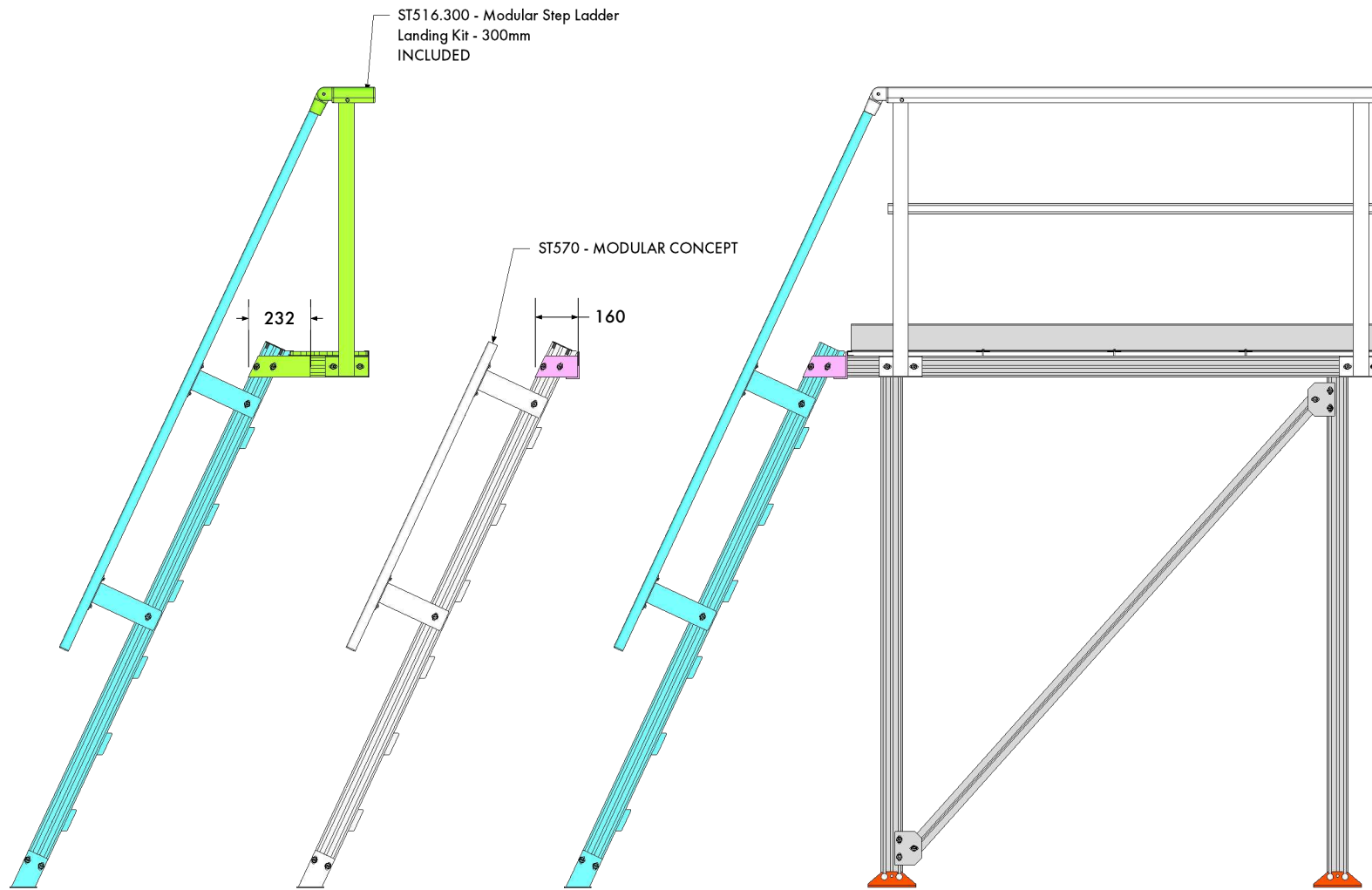


Sayfa Group
1029 Mountain Highway
Boronia Vic 3155
Tel:- 03 8727 9000
Fax:- 03 8727 9002
Email:- technical@sayfa.com.au
Web:- www.sayfa.com.au

SAYFA SYSTEMS CONFIDENTIAL MATERIAL
This drawing is copyright© and all rights are reserved. The design and specifications contained herein are confidential and the property of SAYFA SYSTEMS. The information may not be divulged or used in any form or by any means, for any purpose other than that stated by SAYFA SYSTEMS. Storage, transmittal, forwarding to third party, copying, reproduction, viewing or scanning of this Drawing by any person or party, whether in whole or in part is prohibited, except with express prior written consent by SAYFA SYSTEMS. The perspective is only an indication of the planned installation.

Modular Step Ladder with 300mm Landing Kit - INTERACTIVE		PAGE 2 of 2	
Material	Aluminium	FAB NO:	
Product Code	ST575M		

REVISIONS				Drawing No. ST575M
Date	By	Rep	REMARKS	
05/10/20	CS		Master	1
			...	2
			...	3
			...	4
			...	5



I hereby confirm that all site conditions and design measurements have been checked and are correct as shown above.

Sign Here if Approved

Date: / /

NOTE: All Drawings are designed to comply with current Australian Standards and Compliance Codes for maintenance access. Should the system require compliance with additional regulation or standard, SAYFA must be notified.



Sayfa Group
1029 Mountain Highway
Boronia Vic 3155
Tel:- 03 8727 9000
Fax:- 03 8727 9002
Email:- technical@sayfa.com.au
Web:- www.sayfa.com.au

SAYFA SYSTEMS CONFIDENTIAL MATERIAL
This drawing is copyright© and all rights are reserved. The design and specifications contained herein are confidential and the property of SAYFA SYSTEMS. The information may not be divulged or used in any form or by any means, for any purpose other than that stated by SAYFA SYSTEMS. Storage, transmittal, forwarding to third party, copying, reproduction, viewing or scanning of this Drawing by any person or party, whether in whole or in part is prohibited, except with express prior written consent by SAYFA SYSTEMS. The perspective is only an indication of the planned installation.

Modular Step Ladder with 300mm Landing Kit - INTERACTIVE

Material Aluminium

Product Code **ST575M** FAB NO:

REVISIONS

Date	By	Rep	REMARKS
05/10/20	CS		Master
			...
			...
			...
			...

Drawing No. **ST575M**