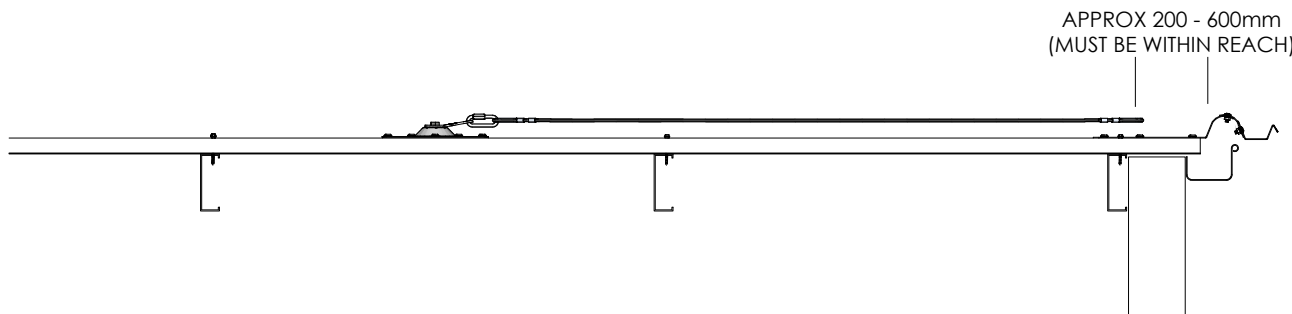


POSITION ANCHOR SO THAT THE STROP IS APPROX 200 - 600mm FROM EDGE. IF ANCHOR IS NOT FIXED TO PURLIN - REFER TO 'RIVETS' ONLY FIXING CRITERIA (FIX OVER 2 ROOF SHEETS)

ANCHOR STROP

LADDER BRACKET



APPROX 200 - 600mm
(MUST BE WITHIN REACH)