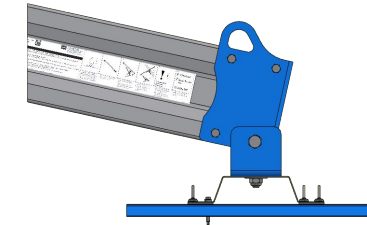
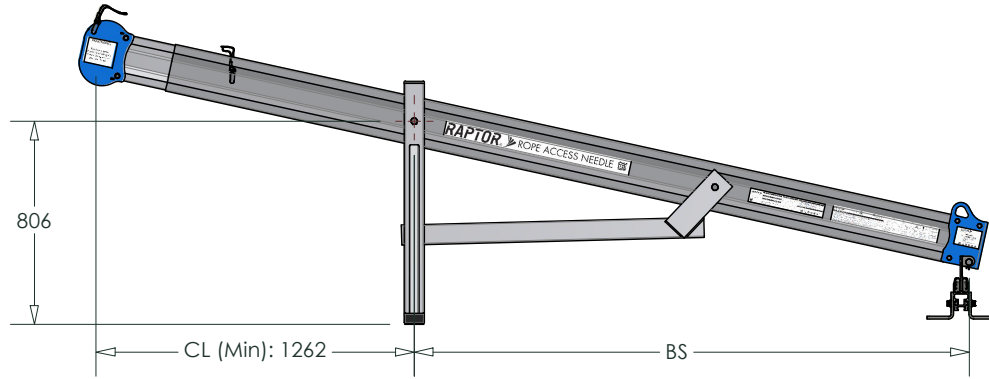
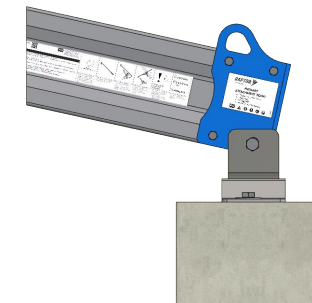
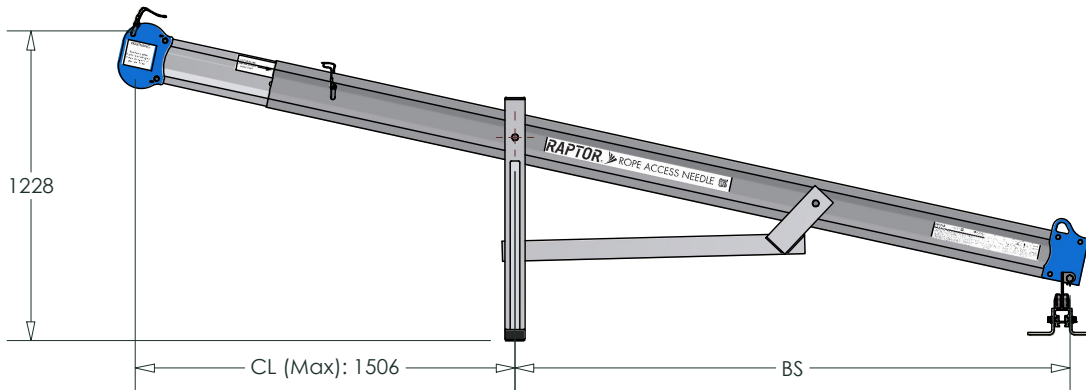


REAR ATTACHMENT - RAIL FACING HORIZONTAL DIRECTION



REAR ATTACHMENT - METAL ROOF MOUNT



REAR ATTACHMENT - CONCRETE FLOOR MOUNT

****NOTE: BACK SPAN (BS) NEED TO BE MIN. 1.5x TIMES CANTILEVER ARM (CL)**