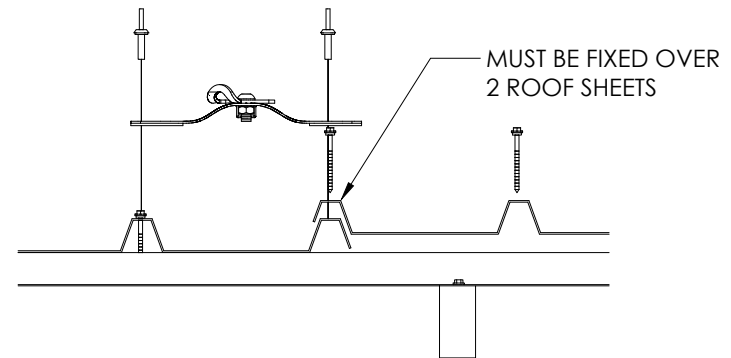
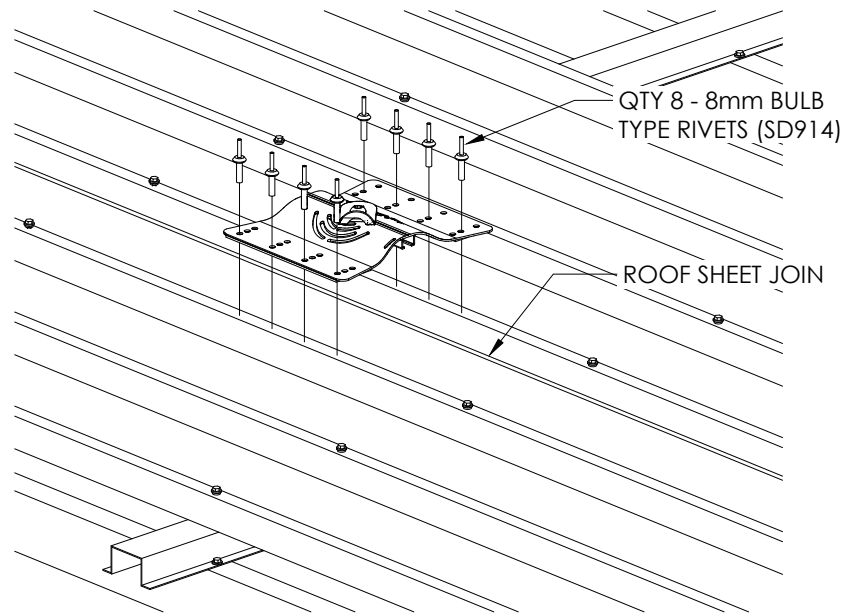


LEFT VIEW



CROSS SECTION

MINIMUM STRUCTURE REQUIREMENTS

- MUST BE 'SCREW TYPE' ROOF DECK
- MIN STEEL BATTEN SIZE - 40 X 0.48MM
- MIN 5 BATTENS BENEATH ROOF STRUCTURE (STANDARD RIVET DETAIL)
- MIN ROOF SHEET THICKNESS - 0.42MM
- MAX BATTEN SPACING - 1000MM

NOTES

- THIS DRAWING IS A BASIC OVERVIEW OF INSTALLATION DETAILS
- THIS ANCHOR MUST BE INSTALLED ACCORDING TO INSTALLATION MANUAL
- OTHER INSTALLATION CRITERIA, REFER TO INSTALLATION MANUAL - sayfa.com.au/library/installation-manuals/